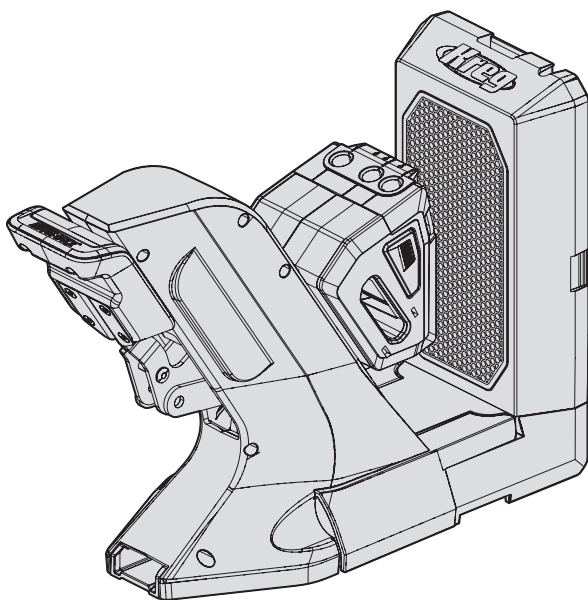


OWNER'S MANUAL



Kreg Pocket-Hole Jig 700-Series

Manual applies to all 700-Series Pocket-Hole Jigs



WARNING Every user must read and follow instructions and safety precautions in this manual. Failure to do so could result in serious injury. Save manual for future reference.

We're here to help.

We want you to have an exceptional project building experience.

If you have questions or need support, please get in touch.

1-800-447-8638 | technicalsupport@kregtool.com

Tell us about your experience.

Your opinion counts. And we're always looking for ways to improve.

Share your feedback so we can keep growing and innovating for you.

www.kregtool.com/feedback

English	2
French	23
Spanish	45

Table of Contents

Safety Precautions	2	Using Your Kreg Jig	18
Pre-Assembly	3	Removing the Jig from the Docking Station	19
Product Description	3	Removing a Kreg 700-Series Jig from a Mounted Docking Station	19
Onboard Tool Storage	4	Removing a Kreg 700-Series Jig from an Unmounted Docking Station	20
Adjustable Clamp Pressure	4	Maintenance	21
Extension Wings	5	Care and Cleaning	21
Mounting Option	5	Accessories	21
Dust Collection Accessories	6		
Docking Station Assembly	7		
Operation - Drilling Pocket Holes	12		
Operation - Drilling and Driving Pocket-Hole Screws	17		

Safety Precautions

WARNING Before using a power tool with this product, read and follow the tool manufacturer's instructions and safety precautions in addition to the safety precautions below to reduce the risk of serious injury from hazards such as fire, electric shock, or rotating drill bit.

- Always wear personal protective equipment recommended by the manufacturer of the power tool you are using, such as eye, hearing, or respiratory protection.
- The drill bit is sharp. Handle with care.
- Do not allow familiarity gained from frequent use of your tools to replace safe work practices. A moment of carelessness is sufficient to cause serious injury.
- Avoid awkward hand positions where a sudden slip could cause contact with the rotating bit.
- When drilling, always ensure that the workpiece is clamped securely. It is dangerous to hold the workpiece in place by hand.

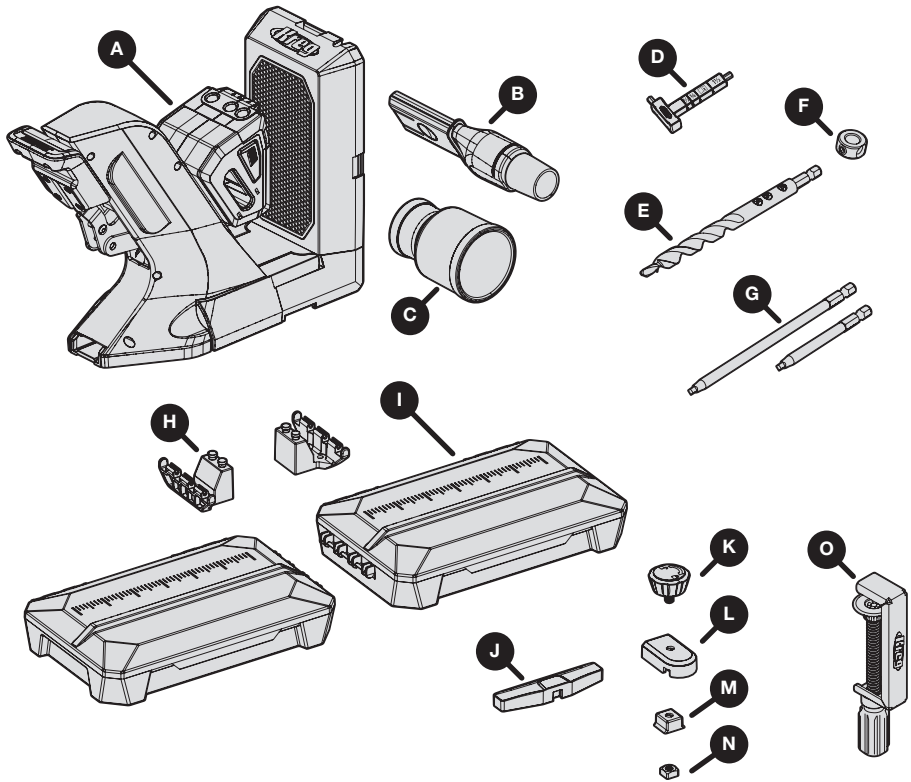
WARNING Do not operate this tool or any machinery while under the influence of drugs, alcohol, or medications.

WARNING This product can expose you to chemicals including Acrylonitrile and other chemicals, which are known to the State of California to cause cancer and reproductive harm. For more information go to www.P65Warnings.ca.gov.

Pre-Assembly

Review this section before you begin. Ensure that you have all tools and materials on hand. Compare the package with the items listed in the Product Description section. If any item is missing or lost, do not use this product. Contact Technical Support or return the product to the place of purchase.

Product Description



Part	Description
A	KPHJ720 Jig
B	Dust collection blade
C	Dust adapter
D	Material thickness gauge/Hex wrench
E	Easy-set pocket-hole drill bit
F	Easy-set stop collar
G	Driver bits (3" and 6")

Part	Description
H ¹	Dock adapters for KPHJ720 (2)
I ¹	Material support wings (2)
J ¹	Adjustable stop arm
K ¹	Adjustable stop knob
L ¹	Adjustable stop base
M ¹	Adjustable stop base wedge
N ¹	Adjustable stop square nut
O ¹	KPHA760 Pocket-hole jig clamp

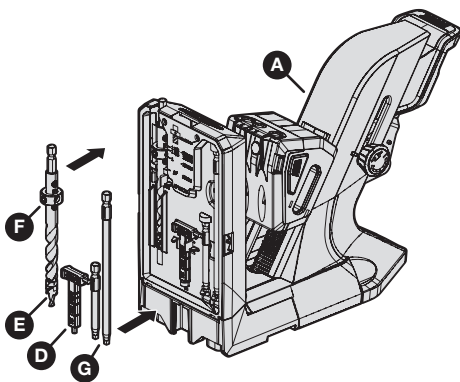
¹ These parts from the KPHA750 pocket-hole jig docking station are included with the KPHJ720PRO package.

Note The product also includes two sample screw packs (not shown).

Onboard Tool Storage

The KPHJ720 Jig (A) provides onboard storage for these items:

- Easy-set pocket-hole drill bit (E) with easy-set stop collar (F) attached
- Material thickness gauge/hex wrench (D)
- 3" and 6" driver bits (G)

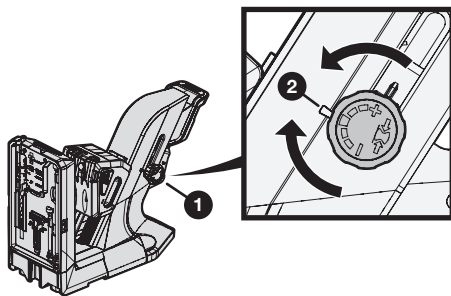


Adjustable Clamp Pressure

A knob (1) on the side of the KPHJ720 Jig enables you to increase or decrease the clamp pressure that is applied to your workpiece. Five pressure settings are available. The jig ships from the factory with the clamp pressure at the middle setting.

To adjust the clamp pressure:

- Lift the jig handle all the way up to release the clamp pressure.
- Rotate the clamp-pressure adjustment knob (1) one click in the desired direction:
 - Clockwise to decrease pressure
 - Counterclockwise to increase pressure
- With a test block in place, reapply the clamp pressure by pressing the jig handle down in one smooth motion until the jig handle is at its travel limit.
- Repeat this process as needed until you are satisfied with the clamp pressure.



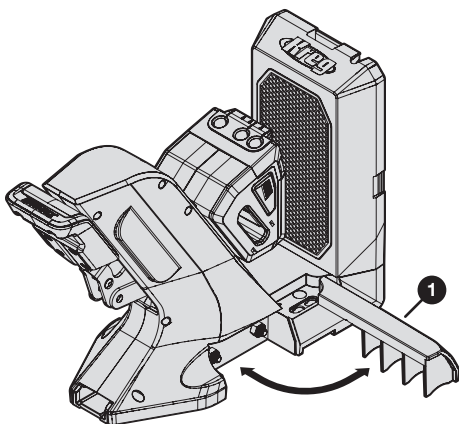
Note

- The jig is set to minimum clamp pressure when the “minus” sign on the clamp-pressure adjustment knob (1) aligns with the selection mark (2).
- The jig is set to maximum clamp pressure when the “plus” sign on the clamp pressure adjustment knob (1) aligns with the selection mark (2).

Extension Wings

The KPHJ720 Jig has two extension wings, one (1) on each side of the jig base. You can rotate one or both wings out to 90 degrees to provide added stability and material support.

Note If you use the optional docking station with the jig, you will use the docking station's material support wings instead of the extension wings shown here. See **Docking Station Assembly** on page 7.



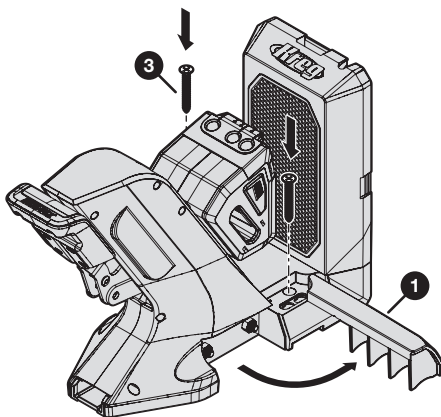
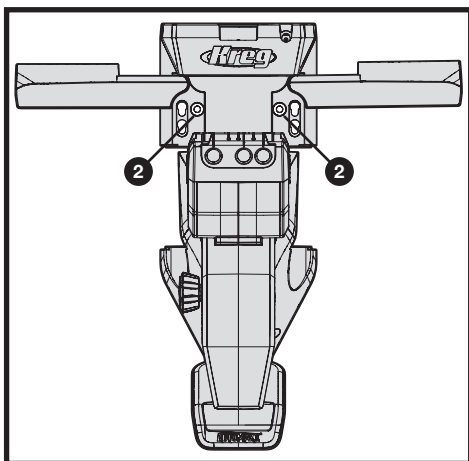
Mounting Option

If desired, you can mount the KPHJ720 Jig to your work surface for added stability.

Note These instructions apply to a jig that is used *without* the optional docking station.

- Place the jig in the desired position on your workbench.
- Rotate the extension wing (1) on each side of the jig to 90 degrees.
Two mounting holes (2) are now accessible (one hole on each side of the jig).
- Drive one Kreg pocket-hole screw (3) through each mounting hole (2).

Note You can use Kreg SML-C125 screws or any other Kreg pocket-hole screw.



Dust Collection Accessories

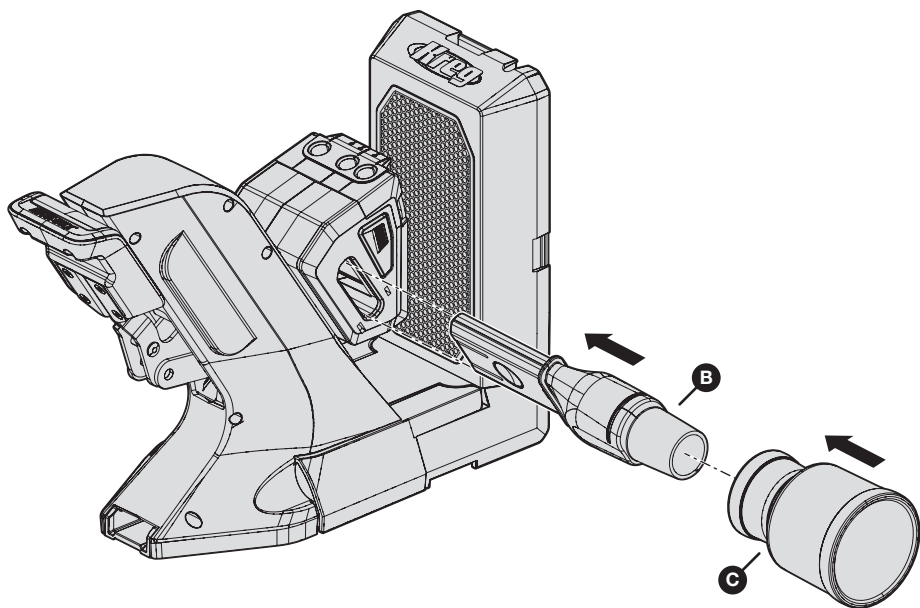
You can use the provided dust collection accessories to capture dust as you drill.

To attach the dust collection accessories:

- a. If necessary for the hose diameter you are using, attach the dust adapter (C) to the wide end of the dust collection blade (B).

Hose diameter	Requires dust adapter?
1-1/4"	No
1-7/8"	No
2-1/2"	Yes

- b. Insert the narrow end of the dust collection blade (B) into the left or right side of the jig.



Note You can leave the dust collection blade and dust adapter attached to the jig when the jig is not in use.

Docking Station Assembly

This section describes how to assemble the docking station that is included with the KPHJ720PRO package. You can also purchase the docking station separately (see **Accessories** on page 21).

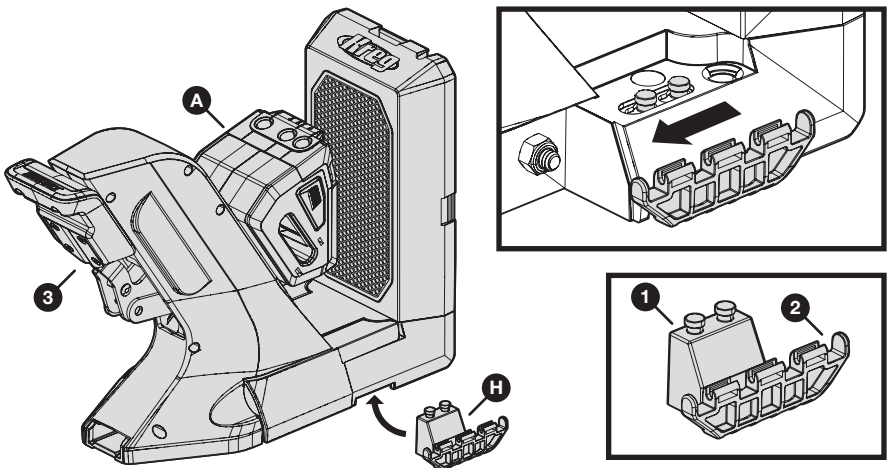
Note If you are not using the docking station, skip this section and continue to **Operation - Drilling Pocket Holes** on page 12.

1 Connect the Dock Adapters to the Jig

- Place the KPHJ720 Jig (A) on a flat surface.
- With one hand, lift one side of the jig (A) slightly.
- With your other hand, place a dock adapter (H) under the jig (A) so that the attachment pins (1) fit into the corresponding hole on the underside of the jig (A); then slide the dock adapter (H) toward the jig handle (3) to lock the dock adapter (H) into position.

Note One side of a dock adapter (H) has attachment pins (1) that fit under the jig; the other side has a connector (2) for a material support wing (not shown). Ensure that the wing-connector side (2) of the dock adapter (H) extends out from the side of the jig (A).

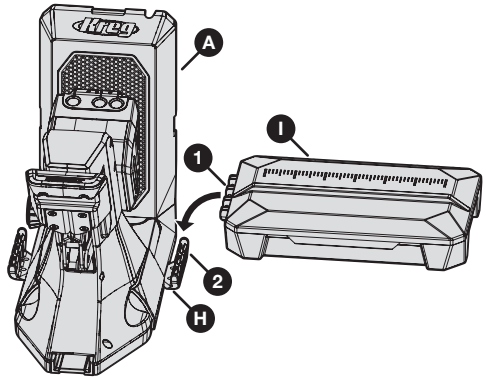
- Repeat steps b and c to connect the other dock adapter (H) on the opposite side of the jig (A).



2 Connect the Material Support Wings to the Dock Adapters

Tip The material support wings also serve as storage boxes.

- Hold a material support wing (I) right-side up (so that the lid of the storage box is facing up and opens away from you).
- Align the connector (1) on the side of the material support wing (I) with the connector (2) on the dock adapter (H) that extends from the side of the jig (A); then press the material support wing (I) down firmly so that the connectors snap together.



Note The bars on the material-support-wing connector (1) snap into the grooves on the dock-adapter connector (2).

- Repeat these steps to connect the other material support wing (I) to the dock adapter (H) on the opposite side of the jig (A).

Note You can fold the material support wings up to the vertical position to save space when the jig is not in use, or to make it easier to move the jig from one location to another. Always fold the material support wings down before using the jig.

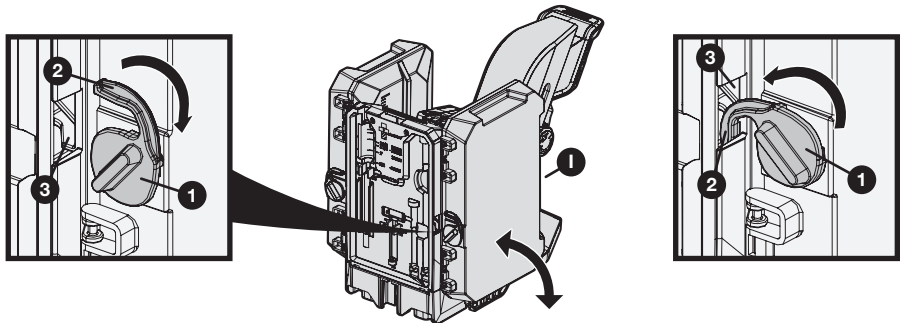
Note If you use the dust collection accessories (page 6), you must remove them from the jig in order to fold the material support wings up.

To fold up the material support wings:

- Fold the material support wing (I) up to a vertical position.
- Rotate the wing lock (1) inward until the latch (2) engages securely in the notch (3) on that side of the jig.

To fold down the material support wings:

- Rotate the wing lock (1) outward until the latch (2) disengages from the notch (3) in the side of the jig.
- Fold the material support wing (I) down to the horizontal position.

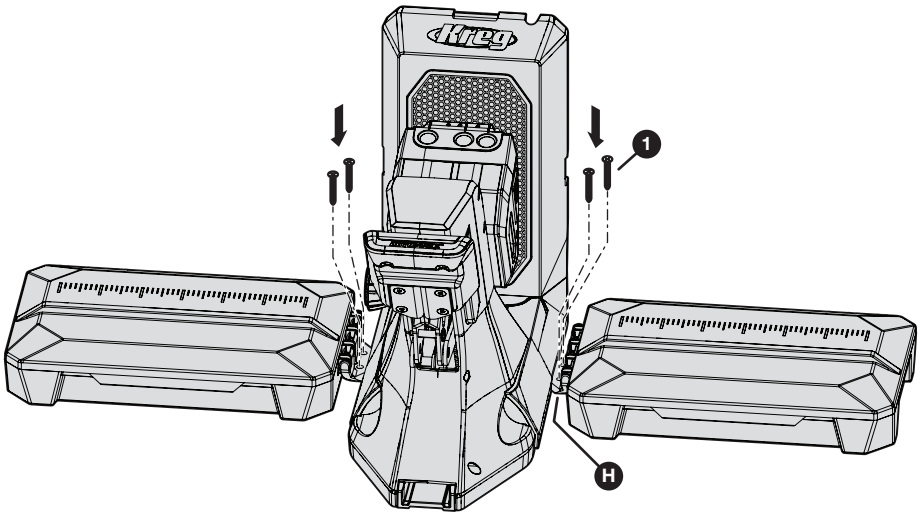
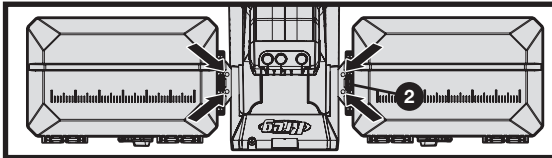


3 Optional: Mount the Dock Adapters to a Work Surface

If desired, you can mount the dock adapters to your work surface for added stability.

- Place the docking station (with the 700-Series Jig attached to it) in the desired position on your workbench.
- Drive one Kreg pocket-hole screw (1) through each of the four mounting holes (2) in the dock adapters (H).

Note You can use Kreg SML-C125 screws or any other Kreg pocket-hole screw.



4 Assemble the Adjustable Stop Base

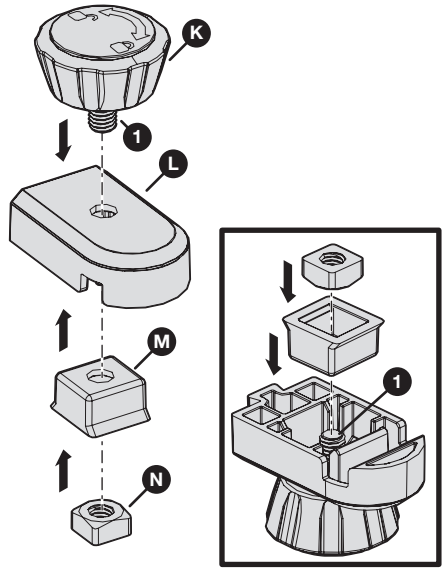
The docking station includes an adjustable stop that can be attached to either material support wing. The adjustable stop makes it easy to achieve repeatable results when you have many pieces that require the same pocket-hole spacing.

Note The adjustable stop has two parts: the adjustable stop base, which you will assemble in this step; and the adjustable stop arm, which can be attached to the adjustable stop base in different configurations (see step 5).

- Insert the screw (1) of the adjustable stop knob (K) into the hole on top of the stop base (L).
- Holding the knob (K) in position, turn the stop base (L) upside down so that the screw (1) extends upward.
- Drop the adjustable stop base wedge (M) onto the screw (1) with its flanged side facing up.

Note The adjustable stop base wedge (M) should sit flush with the adjustable stop base (L). If it does not sit flush, rotate the adjustable stop base wedge (M) 90 degrees.

- Place the adjustable stop square nut (N) onto the screw (1); then rotate the adjustable stop knob (K) until the adjustable stop square nut (N) is finger-tight.

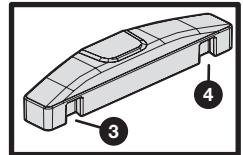
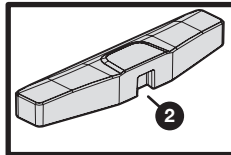
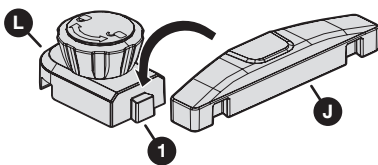


5 Attach the Adjustable Stop Arm to the Adjustable Stop Base

Slide a notch in the adjustable stop arm (J) down over the tab (1) on the adjustable stop base (L) until the adjustable stop arm (J) is fully seated on the tab (1).

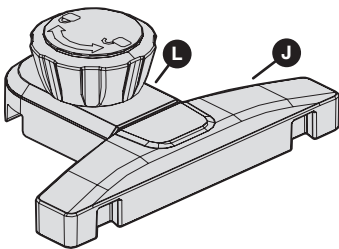
Note The adjustable stop arm (J) has three notches: a center notch (2) on one side and two outer notches (3, 4) on the opposite side. Use the appropriate notch depending on how you want to configure the adjustable stop.

Note To change the configuration of the adjustable stop, lift the adjustable stop arm (J) off the adjustable stop base (L). Then slide a different notch of the adjustable stop arm (J) over the tab (1) on the adjustable stop base (L).



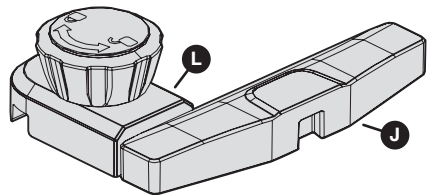
Centered Configuration

Use the arm's center notch (2)



Side Configuration


Use either of the arm's outer notches (3, 4), so that the arm (J) extends to one side of the base (L)

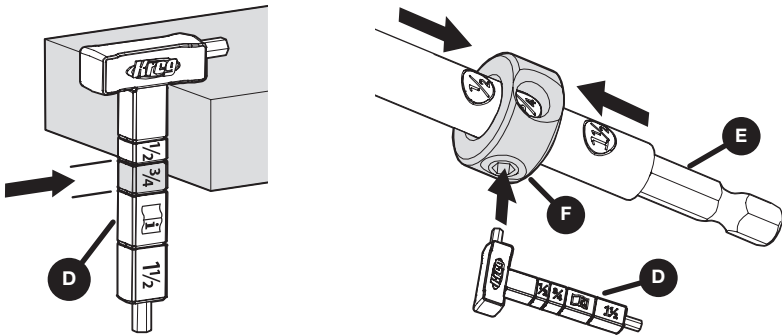


Operation - Drilling Pocket Holes

1 Determine the Material Thickness and Set the Stop Collar

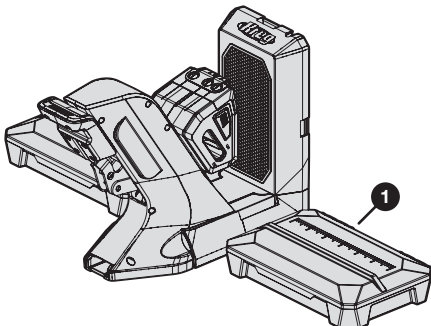
- Use the material thickness gauge (D) to determine the material thickness range.
- Set the stop collar (F) by placing it on the drill bit (E) and aligning the window of the stop collar (F) with the measurement thickness range determined in step a.
- Use the hex wrench built into the material thickness gauge (D) to lock the stop collar (F) into place on the drill bit (E).

Note If your material thickness falls in the  range, use the same setup techniques as the 3/4" range with a 1-1/2" screw.

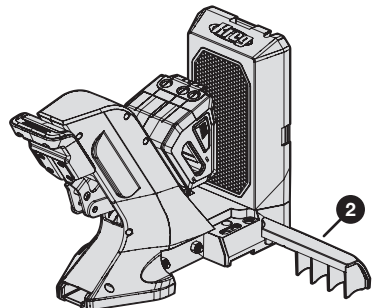


2 If applicable: Stabilize the Jig

- If you are using the docking station:** Fold both material support wings down to their horizontal position (1).
- If you are not using the docking station:** You can rotate one or both of the jig's extension wings (2) out from the jig base to provide additional stability, if desired.



With docking station: Material support wings folded down



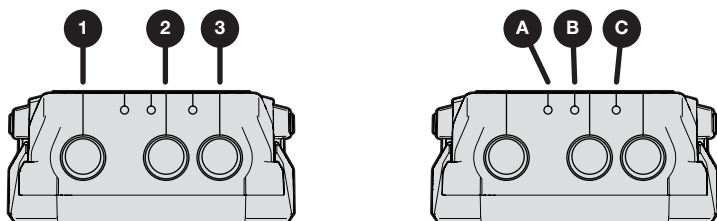
Without docking station: Extension wings rotated out

3 Position Your Workpiece

a. Place your workpiece in the jig and use the drill guide to align it.

Note There are two alternate methods for aligning your Kreg Jig with your workpiece:

- Align the center line of any pocket-hole guide (numbers 1, 2, or 3) with the desired location on your workpiece. For wider panels (over 3-1/2" wide) pocket holes should be placed 5/8" to 1-1/2" from each edge of the workpiece and then every 6" to 8".
- Use the board centering marks (letters A, B, or C) to center two pocket holes on the workpiece ranging in width from 1-1/4" to 3-1/2" wide. See the table below for details on each size range.



Board Width	Center Mark	Drill Guide
1-1/4" to 1-3/4"	C	2 and 3
1-3/4" to 2-3/8"	A	1 and 2
2-3/8" to 3-1/2"	B	1 and 3

b. When you are satisfied with the position of the workpiece in the jig, continue to step 4.

4 Clamp Your Workpiece

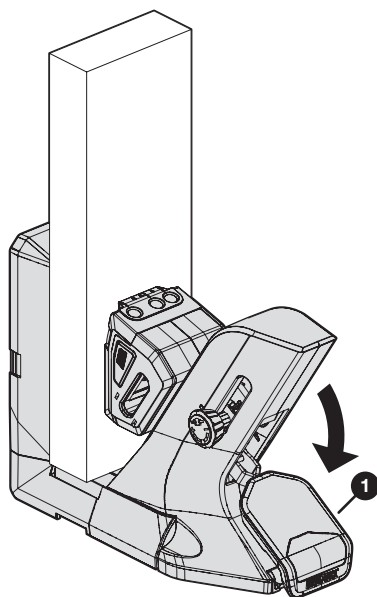
- a. Press down on the jig handle (1) in one smooth motion until the jig handle (1) is at its travel limit.

Note If you have difficulty pressing the jig handle (1) to its travel limit, decrease* the clamp pressure.

- b. Check to see if your workpiece is held securely in the jig; increase* the clamp pressure, if necessary.

Note Increase the clamp pressure if the clamp does not hold the workpiece as securely as you want, if you see movement in the workpiece, or if you are using a plug cutter drill guide attachment.

* See **Adjustable Clamp Pressure** on page 4.



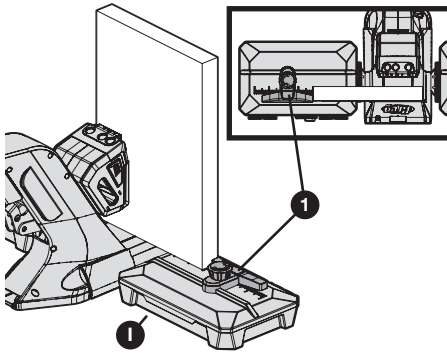
5 Optional: Set the Adjustable Stop

Note The adjustable stop enables you to drill pocket holes on similar workpieces at a faster pace. The adjustable stop is an accessory that is included with the docking station. If you are not using the docking station, skip this step and continue to step 6.

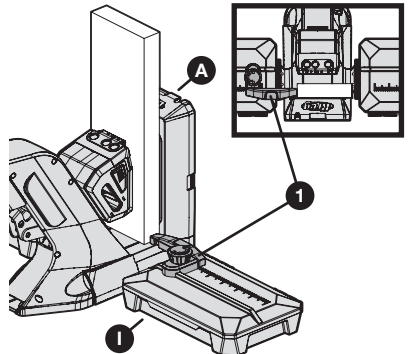
- a. If necessary, change the configuration of the adjustable stop to accommodate the size and orientation of your workpiece in the jig:
- **Wide workpiece:** If the workpiece is wide enough to extend onto the top of a material support wing (I), use the adjustable stop (1) in its *centered* configuration.
 - **Narrow workpiece:** If the workpiece does not extend across the gap between the jig and the material support wing (I), use the adjustable stop (1) in a *side* configuration.

Note For a side configuration, use whichever outer notch in the adjustable stop arm will be farther from the jig after you place the adjustable stop (1) onto a material support wing (I).

Note For instructions on changing the configuration, see **Attach the Adjustable Stop Arm to the Adjustable Stop Base** on page 11.

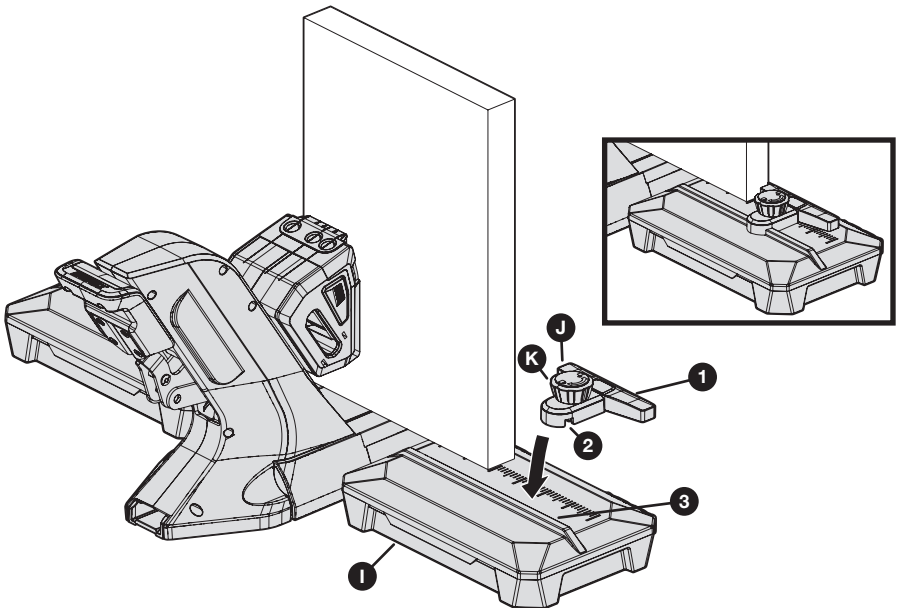


Adjustable stop (1) in centered configuration for wide workpiece



Adjustable stop (1) in side configuration for narrow workpiece

- b. Place the adjustable stop (1) onto the lid of a material support wing (l) so that:
- The edge of the adjustable-stop arm (J) rests snugly against the workpiece.
 - The notch (2) on the underside of the adjustable stop base fits over the rail (3) that runs across the lid of the material support wing (l).
- c. Rotate the adjustable stop knob (K) clockwise until tight to secure the adjustable stop (1) in position.

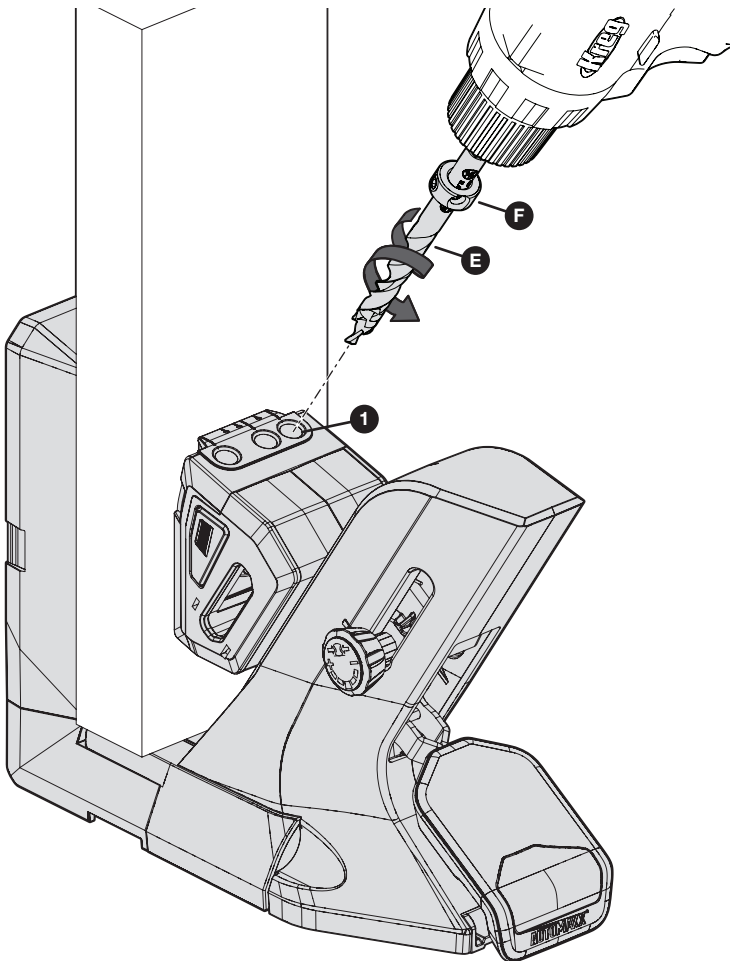


Note To reposition or remove the adjustable stop (1), rotate the adjustable stop knob (K) counterclockwise to loosen it. Then slide the adjustable stop (1) to a new position along the rail (3) or lift it off of the material support wing (l).

6 Drill Pocket Holes

WARNING When drilling, always ensure that the workpiece is clamped securely and that the jig handle is pressed down to its travel limit.


- Place your prepared drill bit (E) with stop collar (F) into your drill.
- Insert your drill bit (E) into the drill guide (1) and bring your drill up to speed before contacting the workpiece to ensure correct rotation of the drill bit.
- Drill until the stop collar (F) stops going any deeper due to contact between the stop collar (F) and drill guide (1). Remove the drill bit (E) from the drill guide (1) while the drill bit is still rotating.
- When you are finished drilling pocket hole(s), lift the jig handle to release the clamping pressure; then remove your workpiece.




Operation - Drilling and Driving Pocket-Hole Screws

For best results, follow these guidelines when drilling and driving pocket-hole screws:

- Use the correct screw size according to this chart:

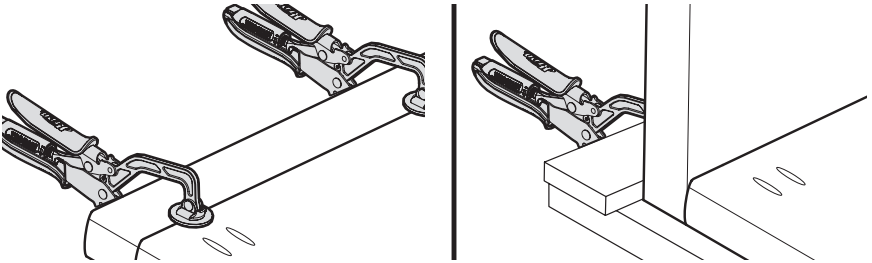
Gauged Material Thickness	Easy-Set Stop Collar	Material Thickness Setting	Screw Length
1/2 Range	1/2	Automatic	1" (25 mm)*
3/4 Range	3/4		1-1/4" (32 mm)
 3/4	3/4		1-1/2" (38 mm)
1-1/2 Range	1 1/2		2-1/2" (64 mm)

* A 1" screw is recommended for most applications, but if your workpiece is on the low end of the range, a 3/4" screw might be required to keep the screw tip from protruding.

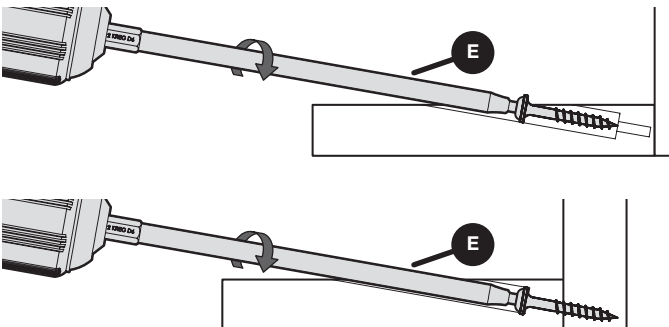
Note If your material thickness falls in the  range, use the same setup techniques as the 3/4" range with a 1-1/2" screw. For more information on screw selections, go to www.Kregtool.com/Screws or simply scan the QR code on the side of your sample screw package.

- Clamp joints in place to ensure a better finished joint. These examples show face joints and edge joints.

WARNING When drilling, always ensure that the workpiece is clamped securely.



- Place your screw on the driver tip (E), position the screw in the pocket hole, and drive the screw until it is fully seated without overdriving.



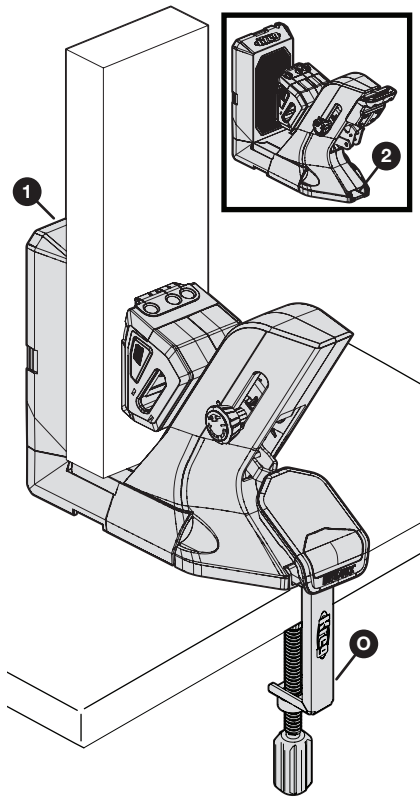
Using Your Kreg Jig

Your Kreg Jig has been designed to work in either a vertical or horizontal orientation to accommodate your workpiece.

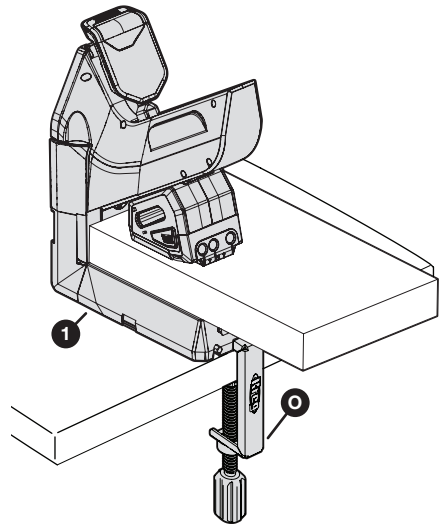
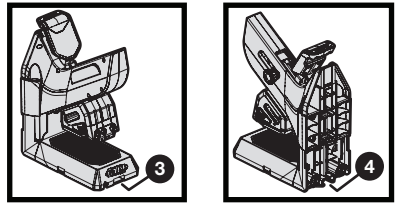
To switch from one orientation to the other, simply rotate the jig 90 degrees.

In either orientation, you can use the pocket-hole jig clamp (O) to secure the jig in place on your workbench.

Orientation	Description	Clamp Position Options
Vertical	Tool-storage side (1) is vertical	One available clamp position (2)
Horizontal	Tool-storage side (1) is face-down	Two available clamp positions (3, 4)



Vertical



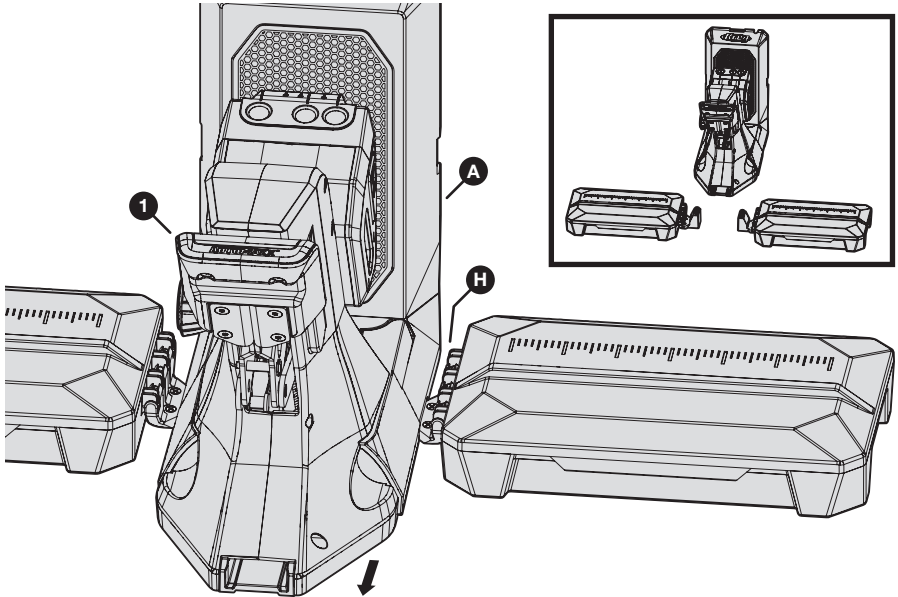
Horizontal

Removing the Jig from the Docking Station

If you use the 700-Series Jig with the optional docking station, you can remove the jig from the docking station at any time.

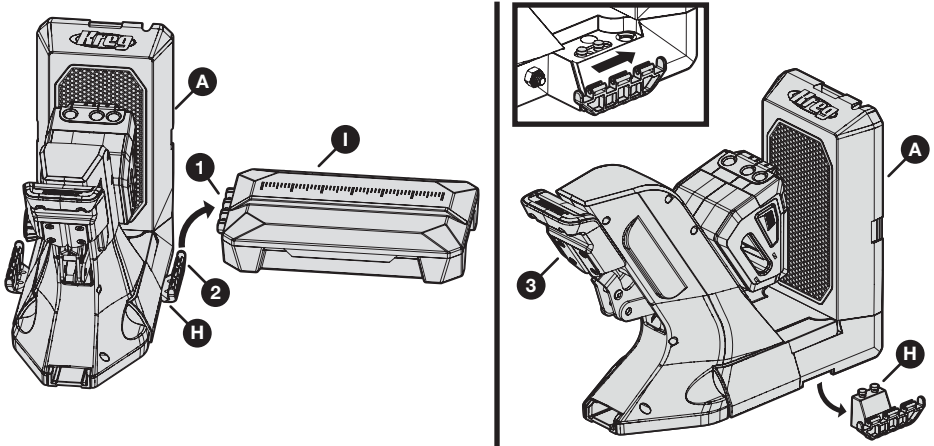
Removing a Kreg 700-Series Jig from a Mounted Docking Station

With the jig handle (1) facing you, slide the jig (A) toward you until the jig (A) disengages from the dock adapters (H). Then lift the jig (A) off the dock adapters (H).



Removing a Kreg 700-Series Jig from an Unmounted Docking Station

- a. Detach each material support wing (I):
 1. Grasp the material support wing (I) close to where it connects to the dock adapter (H).
 2. Gently lift up the material support wing (I) so that the material-support-wing connector (1) pops out of the dock-adapter connector (2).
- b. For the dock adapter (H) on each side of the jig (A):
 1. Lift that side of the jig (A) slightly off the work surface.
 2. With the jig handle (3) facing you, slide the dock adapter (H) away from you until the dock adapter (H) disengages from the slot on the underside of the jig (A).
 3. Pull the dock adapter (H) out from the underside of the jig (A).



Maintenance

Periodically apply light oil to the moving linkage of the handle.

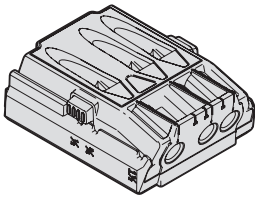
Care and Cleaning

Periodically clean your tool by vacuuming any chips and wood dust.

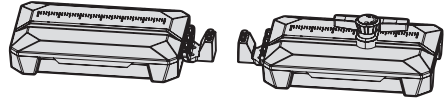
Use a damp cloth to wipe Sure-Grip™ anti-slip pad surfaces clean of dust and debris.

Accessories

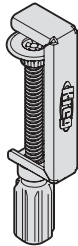
KPHA730 Kreg Micro Drill Guide



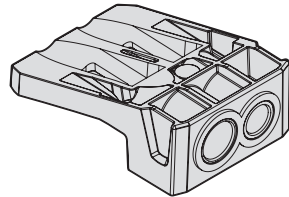
KPHA750 Pocket-Hole Jig Docking Station



KPHA760 Kreg Bench Clamp



KPHA740 Plug Cutting Drill Guide





EXPLORE. BUILD. SHARE.

We're makers just like you.

That's why we love to see what you're working on.

Share with the community and get inspired!

#madewithKreg

Get free plans, project resources, and more.

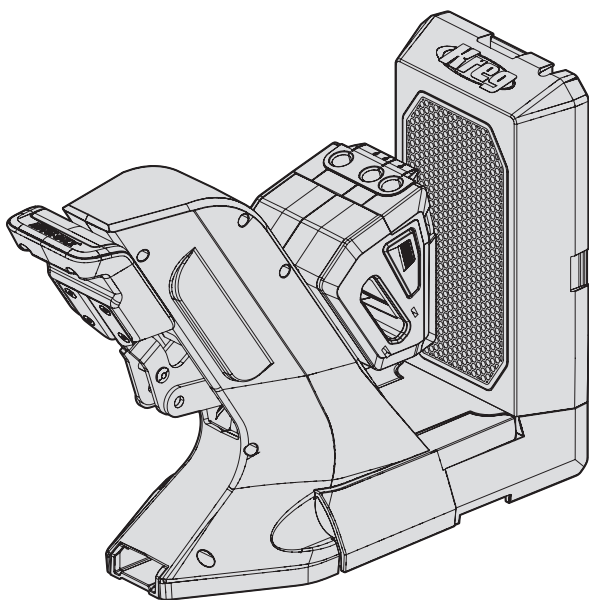
kregtool.com and buildsomething.com

GUIDE D'UTILISATEUR



Gabarit de perçage à angle série 700 de Kreg

Ce manuel s'applique à tous les gabarits de perçage à angle série 700



AVERTISSEMENT Chaque utilisateur doit lire et suivre les instructions et les précautions de sécurité de ce manuel. Respectez cette consigne afin d'éviter tout risque de blessures graves. Conservez le manuel pour une utilisation ultérieure.

Nous sommes là pour vous aider.

Nous voulons que votre projet de construction se déroule de manière optimale.

Si vous avez des questions ou si vous avez besoin d'aide, n'hésitez pas à nous contacter.

1 800 447-8638 | technicalsupport@kregtool.com

Parlez-nous de votre expérience.

Votre opinion compte. Et nous sommes toujours à la recherche de moyens de nous améliorer.

Partagez vos commentaires afin que nous puissions continuer à croître et à innover, pour vous.

www.kregtool.com/feedback

Table des matières

Précautions de sécurité	24	Utilisation de votre gabarit Kreg . . .	40
Avant l'assemblage	25	Retrait du gabarit de la station d'accueil.	41
Description du produit	25	Retrait d'un gabarit série 700 de Kreg à partir d'une station d'accueil fixée	41
Rangement pour outils intégré . . .	26	Retrait d'un gabarit série 700 de Kreg à partir d'une station d'accueil qui n'est pas fixée.	42
Pression de serrage ajustable. . . .	26	Maintenance	43
Rallonges de palette	27	Entretien et nettoyage	43
Options de montage	27	Accessoires	43
Accessoires de dépoussiérage . . .	28		
Assemblage de la station d'accueil	29		
Fonctionnement – Perçage à angle	34		
Fonctionnement – Perçage et utilisation des vis pour perçage à angle. . . .	39		

Précautions de sécurité

AVERTISSEMENT Avant d'utiliser un outil électrique avec ce produit, veuillez lire et suivre les instructions et les précautions de sécurité du fabricant de l'outil, en plus des précautions de sécurité ci-dessous, afin de réduire le risque de blessures graves dues à des risques comme le feu, les chocs électriques ou les mèches de forage rotatives.

- Portez toujours l'équipement de protection individuelle recommandé par le fabricant de l'outil électrique que vous utilisez, par exemple une protection pour les yeux, les tympans ou les voies respiratoires.
- La mèche de forage est tranchante. Manipulez-la avec précaution.
- Faites attention lorsque vous devenez familier avec l'outil en raison d'une utilisation fréquente. Employez systématiquement des pratiques de travail sécuritaires. Un moment d'inattention est suffisant pour causer des blessures graves.
- Évitez de positionner vos mains de manière maladroite, car un glissement soudain pourrait causer un contact avec la mèche en rotation.
- Lors du perçage, assurez-vous toujours que la pièce de travail est solidement ancrée en place. Il est dangereux de tenir une pièce de travail en place à l'aide de votre main.

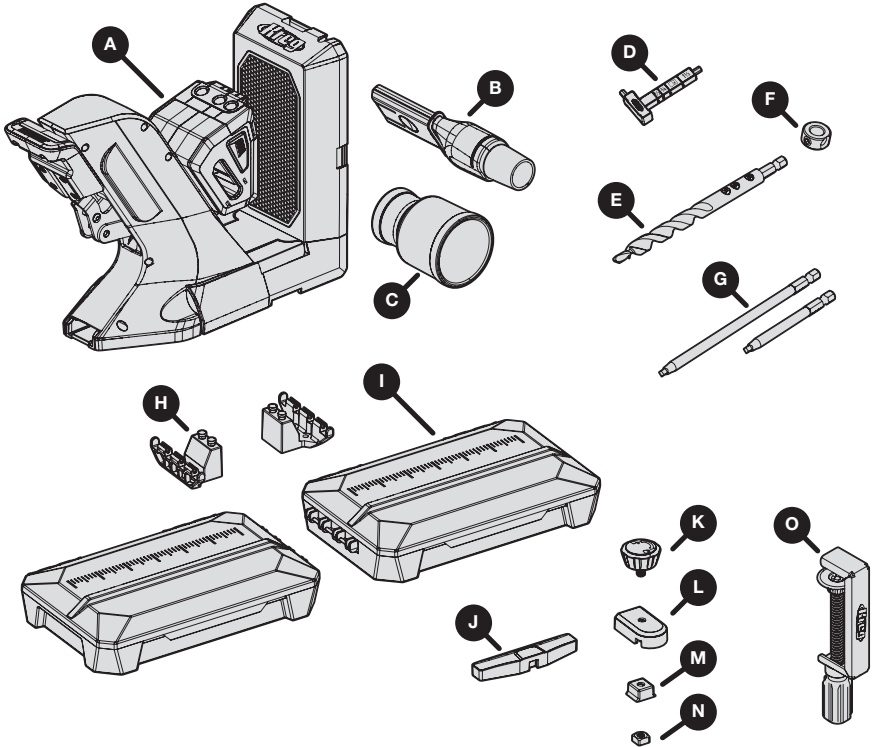
AVERTISSEMENT N'utilisez pas cet outil ou toute autre machine sous l'influence de drogues, d'alcool ou de médicaments.

AVERTISSEMENT Ce produit peut vous exposer à des produits chimiques, notamment l'acrylonitrile ou d'autres types dont l'État de Californie reconnaît être cancérigènes et nocifs pour la reproduction. Pour en savoir plus, visitez www.P65Warnings.ca.gov.

Avant l'assemblage

Consultez cette section avant de commencer. Assurez-vous d'avoir tous les outils et les matériaux à portée de main. Comparez le contenu de votre paquet avec les éléments énumérés dans la section Description du produit. Si un article est manquant, n'utilisez pas ce produit. Contactez le support technique ou retournez le produit où vous l'avez acheté.

Description du produit



Pièce	Description
A	Gabarit KPHJ720
B	Lame de dépoussiérage
C	Adaptateur pour la poussière
D	Jauge d'épaisseur des matériaux/ Clé hexagonale
E	Mèche de perçage à angle à réglage facile
F	Bague d'arrêt à réglage facile
G	Embouts de tournevis (3 po et 6 po)

Pièce	Description
H ¹	Adaptateurs de station pour KPHJ720 (2)
I ¹	Ailes de support pour le matériau (2)
J ¹	Bras d'arrêt réglable
K ¹	Bouton d'arrêt réglable
L ¹	Base d'arrêt réglable
M ¹	Cale de la base d'arrêt réglable
N ¹	Écrou d'arrêt carré réglable
O ¹	Pince pour gabarit de perçage à angle KPHA760

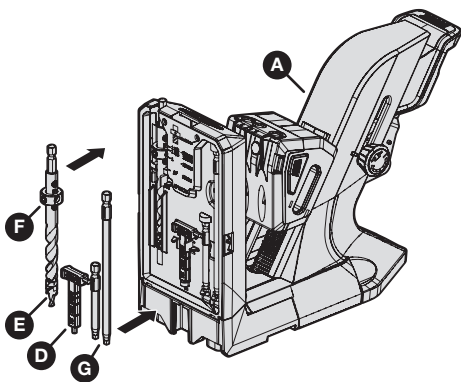
¹ Ces pièces de la station d'accueil pour gabarit de perçage à angle KPHA750 sont incluses dans le paquet KPHJ720PRO.

Remarque Le produit comprend également deux échantillons de paquets de vis (non illustrés).

Rangement pour outils intégrés

Le gabarit KPHJ720 (A) offre un espace de rangement intégré pour les outils suivants :

- Mèche de perçage à angle à réglage facile (E) avec bague d'arrêt à réglage facile (F) inclus
- Jauge d'épaisseur des matériaux/ Clé hexagonale (D)
- Embouts de tournevis de 3 po et 6 po (G)

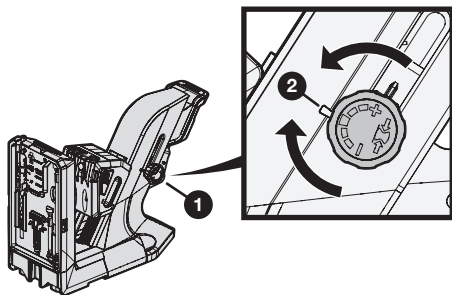


Pression de serrage ajustable

Un bouton (1) sur le côté du gabarit KPHJ720 vous permet d'augmenter ou de diminuer la pression de serrage qui est appliquée sur votre pièce. Cinq réglages de pression sont disponibles. Lorsque le gabarit sort de l'usine, la pression de la pince est réglée au milieu.

Pour ajuster la pression de la pince :

- Soulevez la poignée du gabarit jusqu'au bout pour relâcher la pression de la pince.
- Tournez le bouton de réglage de la pression de serrage (1) d'un clic dans la direction souhaitée :
 - Dans le sens des aiguilles d'une montre pour diminuer la pression
 - Dans le sens inverse des aiguilles d'une montre pour augmenter la pression
- En positionnant un bloc de test en place, réappliquez la pression de serrage en pressant la poignée du gabarit vers le bas en un mouvement fluide jusqu'à ce que la poignée du gabarit ait traversé sa distance maximale.
- Répétez ce processus jusqu'à ce que vous soyez satisfait de la pression de serrage.



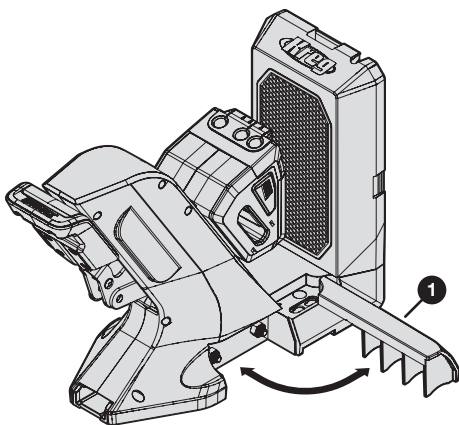
Remarque

- Le gabarit est réglé sur la pression de serrage minimale lorsque le signe « moins » sur le bouton de réglage de la pression de serrage (1) s'aligne sur la marque de sélection (2).
- Le gabarit est réglé sur la pression de serrage maximale lorsque le signe « plus » sur le bouton de réglage de la pression de serrage (1) s'aligne sur la marque de sélection (2).

Rallonges de palette

Le gabarit KPHJ720 a deux rallonges de palette, une (1) de chaque côté de la base du gabarit. Vous pouvez faire pivoter une ou les deux rallonges de palette à 90 degrés pour plus de stabilité et pour mieux soutenir votre matériau.

Remarque Si vous utilisez la station d'accueil optionnelle avec le gabarit, vous utiliserez les ailes de support pour le matériau de la station d'accueil au lieu des rallonges de palette illustrées ici. Consultez la section **Assemblage de la station d'accueil** à la page 29.



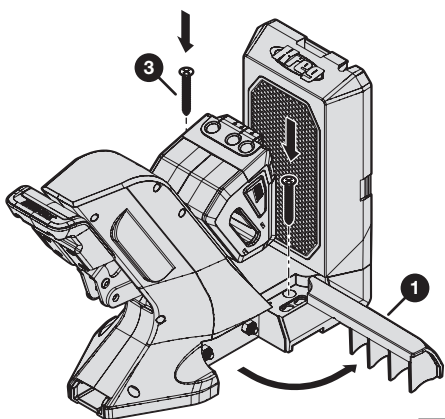
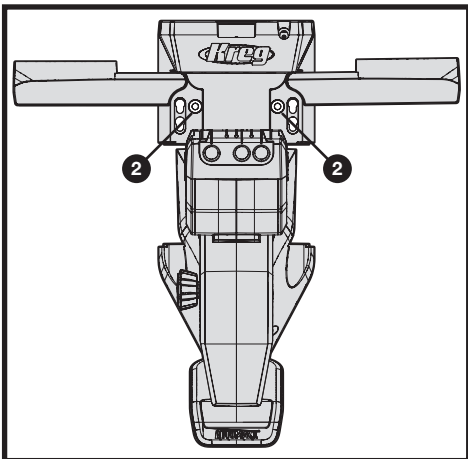
Options de montage

Si vous le souhaitez, vous pouvez fixer le gabarit KPHJ720 sur votre surface de travail pour plus de stabilité.

Remarque Ces instructions s'appliquent à un gabarit qui est utilisé *sans* la station d'accueil optionnelle.

- Placez le gabarit dans la position souhaitée sur votre établi.
- Faites pivoter la rallonge de palette (1) de chaque côté du gabarit à 90 degrés. Deux trous de fixation (2) sont maintenant accessibles (un trou de chaque côté du gabarit).
- Enfoncez une vis pour perçage à angle Kreg (3) dans chaque trou de fixation (2).

Remarque Vous pouvez utiliser des vis Kreg SML-C125 ou toute autre vis de perçage à angle Kreg.



Accessoires de dé poussiérage

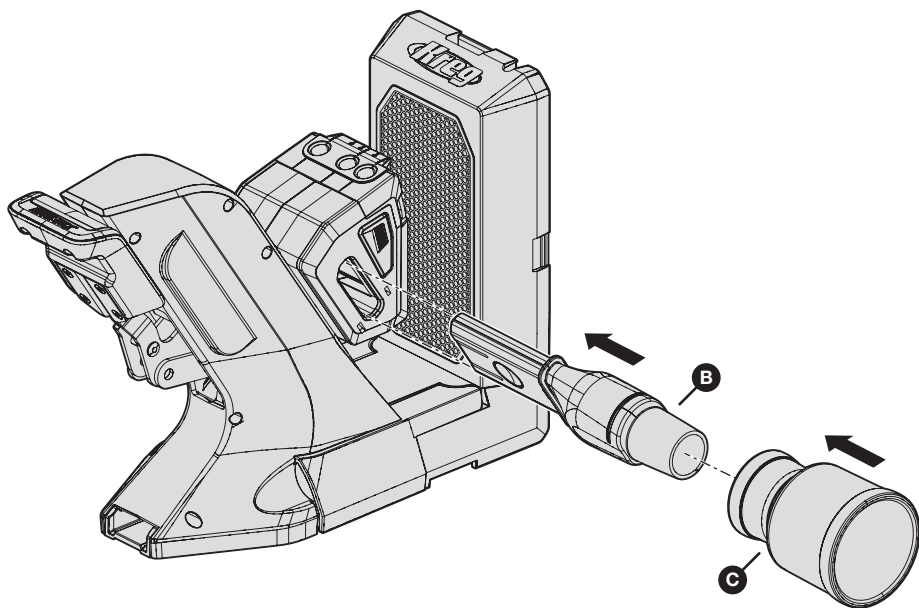
Vous pouvez utiliser les accessoires de dé poussiérage fournis afin de capturer la poussière à mesure que vous percez.

Pour fixer les accessoires de dé poussiérage :

- Si le diamètre du tuyau que vous utilisez le requiert, fixez l'adaptateur anti-poussière (C) à l'extrémité large de la lame de dé poussiérage (B).

Diamètre du tuyau	Avez-vous besoin d'un adaptateur anti-poussière?
1 1/4 po (32 mm)	Non
1 7/8 po (48 mm)	Non
2 1/2 po (64 mm)	Oui

- Insérez l'extrémité étroite de la lame de dé poussiérage (B) dans le côté gauche ou droit du gabarit.



Remarque Vous pouvez laisser la lame de dé poussiérage et l'adaptateur pour la poussière fixés au gabarit lorsque celui-ci n'est pas utilisé.

Assemblage de la station d'accueil

Cette section décrit comment assembler la station d'accueil qui est incluse avec l'ensemble KPHJ720PRO. Vous pouvez également acheter la station d'accueil séparément (consultez la section **Accessoires** à la page 43).

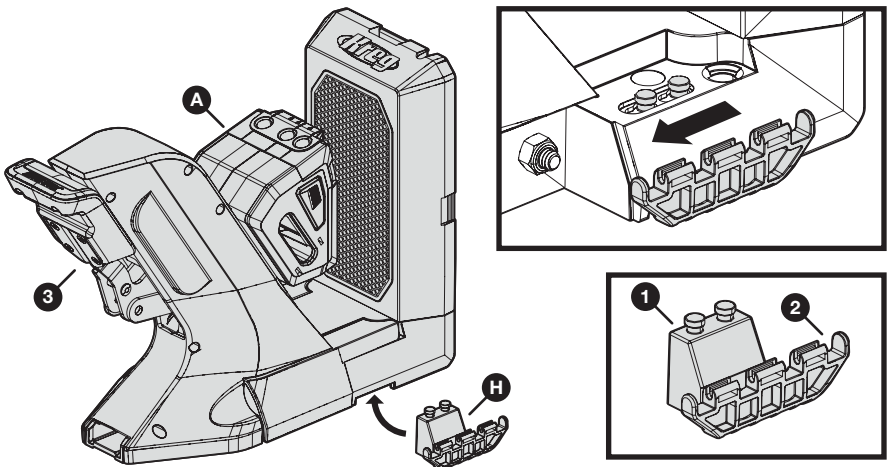
Remarque Si vous n'utilisez pas la station d'accueil, sautez cette section et continuez à la section **Fonctionnement – Perçage à angle** à la page 34.

1 Connectez les adaptateurs de station au gabarit

- Placez le gabarit KPHJ720 sur une surface plane.
- D'une main, soulevez légèrement un côté du gabarit.
- À l'aide de votre autre main, placez un adaptateur de station (H) sous le gabarit (A) de manière à ce que les goupilles de fixation (1) s'insèrent dans le trou correspondant sur la face inférieure du gabarit (A); puis faites glisser l'adaptateur de station (H) vers la poignée du gabarit (3) pour verrouiller l'adaptateur (H) en position.

Remarque Un côté de l'adaptateur de station (H) a des goupilles de fixation (1) qui se glissent sous le gabarit; l'autre côté est doté d'un connecteur (2) pour une aile de support (l'image ne l'illustre pas). Assurez-vous que le côté du connecteur pour aile de support (2) de l'adaptateur de station (H) dépasse sur le côté du gabarit (A).

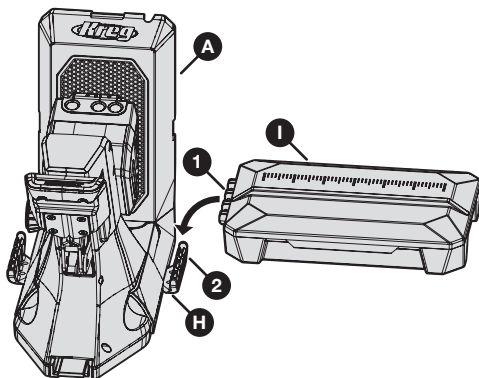
- Répétez les étapes b et c pour connecter l'autre adaptateur de station (H) sur le côté opposé du gabarit (A).



2 Raccordez les ailes de support pour le matériel aux adaptateurs de la base

Astuce Les ailes de support pour le matériel peuvent également servir de rangements.

- Tenez une aile de support pour le matériel (I) à l'endroit (de sorte que le couvercle de la boîte de rangement soit tourné vers le haut et s'ouvre à l'opposé de vous).
- Alignez le connecteur (1) sur le côté de l'aile de support (I) avec le connecteur (2) sur l'adaptateur de station (H) qui dépasse du côté du gabarit (A); puis appuyez fermement sur l'aile de support (I) pour que les connecteurs s'emboîtent.



Remarque Les barres du connecteur de l'aile de support (1) s'enclenchent dans les rainures du connecteur de la base de la station (2).

- Répétez ces étapes pour connecter l'autre aile de support (I) à l'adaptateur de station (H) sur le côté opposé du gabarit (A).

Remarque Vous pouvez replier les ailes de support en position verticale pour gagner de la place lorsque le gabarit n'est pas utilisé, ou pour faciliter le déplacement du gabarit d'un endroit à l'autre. Rabattez toujours les ailes de support avant d'utiliser le gabarit.

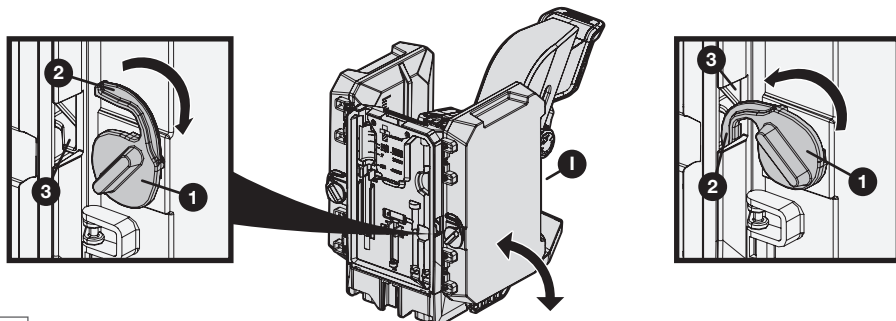
Remarque Si vous utilisez les accessoires de dé poussiérage (page 28), vous devez les retirer du gabarit afin de replier les ailes de support pour le matériel.

Pour replier les ailes de support :

- Pliez l'aile de support (I) en position verticale.
- Faites pivoter le verrou de l'aile (1) vers l'intérieur jusqu'à ce que le loquet (2) s'engage de manière sécuritaire dans l'encoche (3) située sur le côté du gabarit.

Pour rabattre les ailes de support :

- Faites pivoter le verrou de l'aile (1) vers l'extérieur jusqu'à ce que le loquet (2) se retire de l'encoche (3) située sur le côté du gabarit.
- Rabattez l'aile de support (I) en position horizontale.

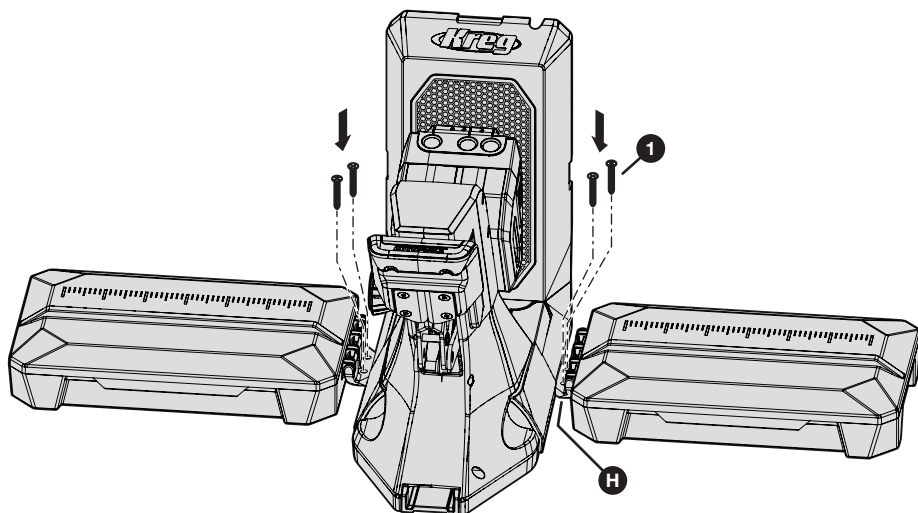
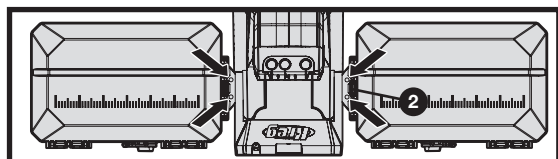


3 Optionnel : Fixez les adaptateurs de station sur une surface de travail

Si vous le souhaitez, vous pouvez fixer les adaptateurs de la station sur votre surface de travail pour plus de stabilité.

- Placez la station d'accueil (avec le gabarit série 700 y étant attaché) dans la position souhaitée sur votre établi.
- Enfoncez une vis pour perçage à angle Kreg (1) dans chacun des quatre trous de fixation (2) des adaptateurs de station (H).

Remarque Vous pouvez utiliser des vis Kreg SML-C125 ou toute autre vis de perçage à angle Kreg.



4 Assemblage de la base d'arrêt réglable

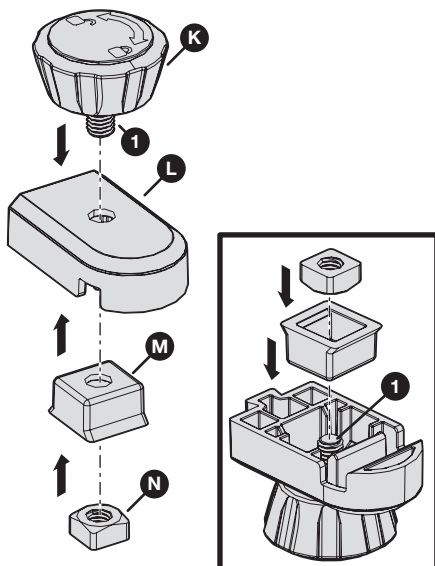
La station d'accueil comprend un arrêt réglable qui peut être fixé à l'une ou l'autre des ailes de support. L'arrêt réglable permet d'obtenir facilement des résultats uniformes lorsque vous avez de nombreuses pièces qui nécessitent le même espacement entre les perçages à angle.

Remarque L'arrêt réglable est composé de deux parties : la base d'arrêt réglable, que vous assemblerez durant cette étape et le bras d'arrêt réglable, qui peut être fixé à la base d'arrêt réglable selon différentes configurations (consultez l'étape 5).

- Insérez la vis (1) du bouton d'arrêt réglable (K) dans le trou situé au-dessus de la base d'arrêt (L).
- En maintenant le bouton (K) en position, tournez la base d'arrêt (L) à l'envers de façon que la vis (1) s'étende vers le haut.
- Faites glisser la cale de la base d'arrêt réglable (M) sur la vis (1) en positionnant le côté bridé vers le haut.

Remarque La cale de la base d'arrêt réglable (M) doit affleurer la base d'arrêt réglable (L). Si ce n'est pas le cas, faites tourner la cale de la base d'arrêt réglable (M) à 90 degrés.

- Placez l'écrou d'arrêt carré réglable (N) sur la vis (1); puis tournez le bouton d'arrêt réglable (K) jusqu'à ce que vous ayez serré à la main l'écrou d'arrêt carré réglable (N).

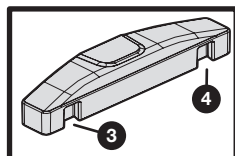
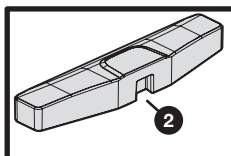
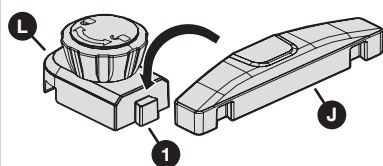


5 Fixation du bras d'arrêt réglable à la base d'arrêt réglable

Faites glisser l'une des encoches du bras d'arrêt réglable (J) vers le bas, sur la languette (1) de la base d'arrêt réglable (L) jusqu'à ce que le bras d'arrêt réglable (J) soit complètement en place sur la languette (1).

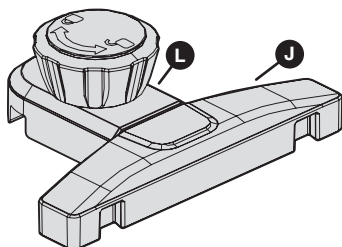
Remarque Le bras d'arrêt réglable (J) comporte trois encoches : une encoche centrale (2) sur un côté et deux encoches extérieures (3, 4) sur le côté opposé. Utilisez l'encoche appropriée en fonction de la configuration que vous souhaitez donner à l'arrêt réglable.

Remarque Pour modifier la configuration de l'arrêt réglable, soulevez le bras d'arrêt réglable (J) de la base d'arrêt réglable (L). Ensuite, faites glisser une autre encoche du bras d'arrêt réglable (J) sur la languette (1) de la base d'arrêt réglable (L).



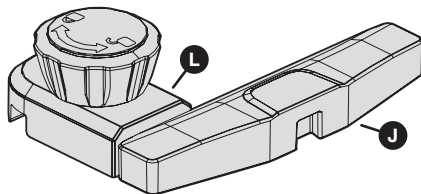
Configuration centrée

Utilisez l'encoche centrale du bras (2)




Configuration latérale

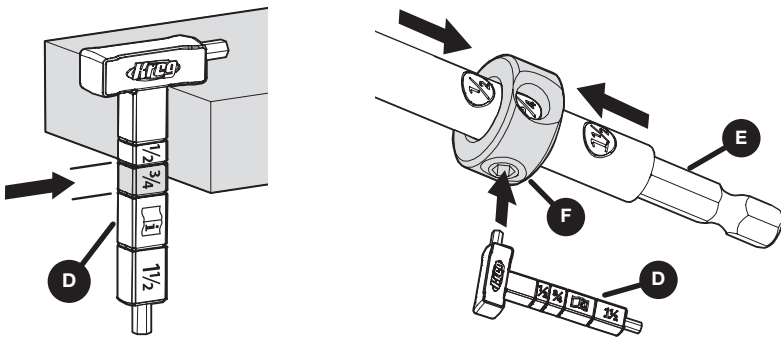
Utilisez l'une des encoches extérieures du bras (3, 4), de sorte que le bras (J) s'étende sur un côté de la base (L)



1 Déterminez l'épaisseur du matériau et fixez la bague d'arrêt

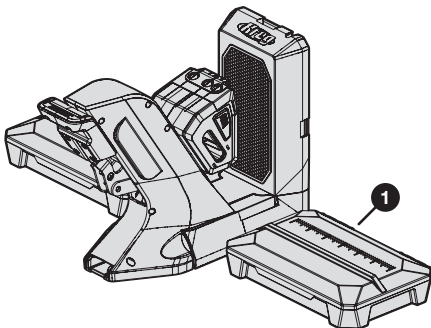
- Utilisez la jauge d'épaisseur de matériau (D) pour déterminer la plage d'épaisseur du matériau.
- Positionnez la bague d'arrêt (F) en la plaçant sur la mèche de forage (E) et en alignant la fenêtre de la bague d'arrêt (F) avec la plage d'épaisseur de mesure déterminée dans l'étape a.
- Utilisez la clé hexagonale intégrée dans la jauge d'épaisseur du matériau (D) pour fixer la bague d'arrêt (F) en place sur la mèche (E).

Remarque Si l'épaisseur de votre matériau tombe dans la plage , utilisez les mêmes techniques de montage que pour la plage de 3/4 po (19 mm) avec une vis de 1 1/2 po (38 mm).

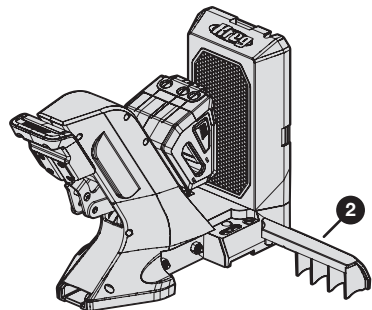


2 Si nécessaire : Stabilisez le gabarit

- **Si vous utilisez la station d'accueil :** Rabattez les deux ailes de support en position horizontale (1).
- **Si vous n'utilisez pas la station d'accueil :** Vous pouvez, si vous le souhaitez, faire pivoter l'une ou les deux rallonges de palette (2) du gabarit par rapport à la base du gabarit pour lui donner une stabilité supplémentaire.



Avec station d'accueil : Ailes de support rabattues



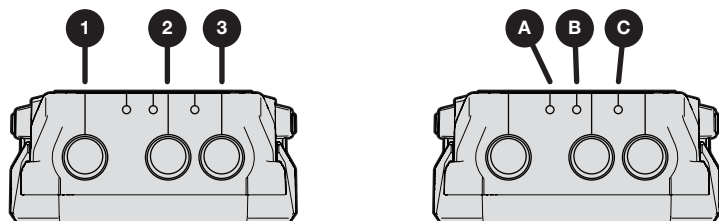
Sans station d'accueil : Rallonges de palette retournées

3 Positionnez votre pièce de travail

a. Placez votre pièce dans le gabarit et utilisez le guide de perçage pour l'aligner.

Remarque Il existe deux méthodes alternatives pour aligner votre gabarit Kreg avec votre pièce :

- Alignez la ligne centrale d'un gabarit de perçage à angle (numéros 1, 2 ou 3) avec l'emplacement souhaité sur votre pièce. Pour les panneaux plus larges (plus de 3 1/2 po (89 mm) de largeur), des trous en angle doivent être placés à 5/8 po (16 mm) et à 1 1/2 po (38 mm) de chaque bord de la pièce, puis tous les 6 à 8 po (152 à 203 mm).
- Utilisez les marques de centrage de la planche (lettres A, B ou C) pour centrer deux trous en angle sur la pièce de travail dont la largeur varie de 1 1/4 po (312 mm) à 3 1/2 po (89 mm). Voir le tableau ci-dessous pour plus de détails sur chaque plage de taille.



Largeur de la planche	Marque centrale	Guide-foret
1 1/4 po à 1 3/4 po (32 mm à 45 mm)	C	2 et 3
1 3/4 po à 2 3/8 po (45 mm à 60 mm)	A	1 et 2
2 3/8 po à 3 1/2 po (60 mm à 89 mm)	B	1 et 3

b. Lorsque vous êtes satisfait de la position de la pièce dans le gabarit, passez à l'étape 4.

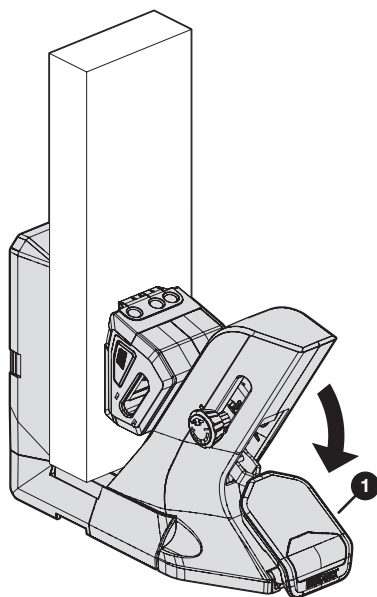
4 Fixez votre pièce de travail

- a. Appuyez sur la poignée du gabarit (1) d'un mouvement fluide jusqu'à ce qu'elle ait traversé sa limite de distance.

Remarque Si vous avez de la difficulté à pousser la poignée du gabarit (1) jusqu'à sa limite de distance, diminuez* la pression de serrage.

- b. Vérifiez si votre pièce est bien maintenue dans le gabarit; augmentez* la pression de serrage, si nécessaire.

Remarque Augmentez la pression de serrage si la pince ne maintient pas la pièce aussi solidement que vous le souhaitez, si vous constatez un mouvement de la pièce ou si vous utilisez un guide-foret.



* Consultez la section **Pression de serrage ajustable** à la page 26.

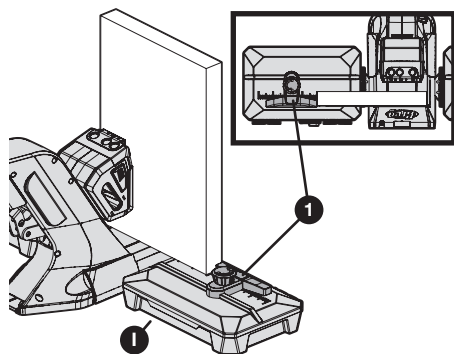
5 Optionnel : Mettre en place l'arrêt réglable

Remarque L'arrêt réglable vous permet de percer des trous à angle sur des pièces similaires à un rythme plus rapide. L'arrêt réglable est un accessoire qui est inclus avec la station d'accueil. Si vous n'utilisez pas la station d'accueil, passez cette étape et continuez à l'étape 6.

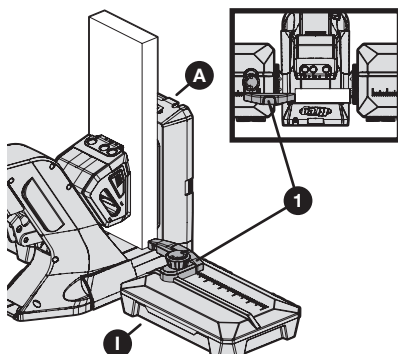
- a. Si nécessaire, modifiez la configuration de l'arrêt réglable pour tenir compte de la taille et de l'orientation de votre pièce dans le gabarit :
- **Pièce de travail large** : si la pièce est suffisamment large pour s'étendre sur le dessus d'une aile de support (I), utilisez l'arrêt réglable (1) dans sa configuration *centrée*.
 - **Pièce de travail étroite** : si la pièce ne s'étend pas à travers l'espace entre le gabarit et l'aile de support (I), utilisez l'arrêt réglable (1) dans sa configuration *latérale*.

Remarque Pour une configuration latérale, utilisez l'encoche extérieure du bras d'arrêt réglable, celle qui sera la plus éloignée du gabarit après avoir placé l'arrêt réglable (1) sur une aile de support (I).

Remarque Pour obtenir des instructions sur les modifications pouvant être faites à la configuration, voir la section **Fixation du bras d'arrêt réglable à la base d'arrêt réglable** à la page 33.

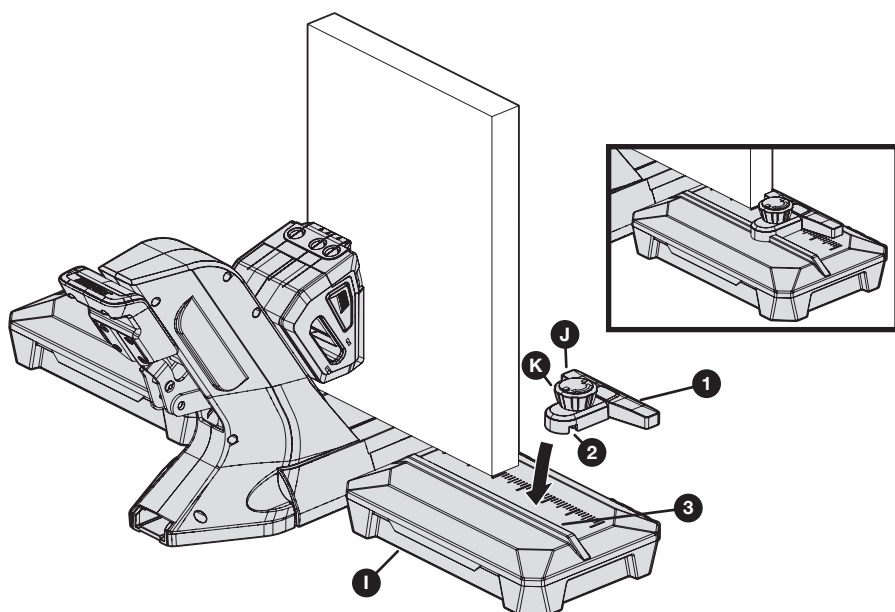


Arrêt réglable (1) en configuration centrée pour les pièces larges



Arrêt réglable (1) en configuration latérale pour les pièces étroites

- b. Placez l'arrêt réglable (1) sur le couvercle d'une aile de support (l) de manière à ce que :
- Le bord du bras d'arrêt réglable (J) repose bien contre la pièce.
 - L'encoche (2) sur la face inférieure de la base d'arrêt réglable s'adapte sur le rail (3) qui traverse le couvercle de l'aile de support (l).
- c. Tournez le bouton d'arrêt réglable (K) dans le sens des aiguilles d'une montre jusqu'à ce qu'il soit bien serré pour fixer l'arrêt réglable (1) en position.

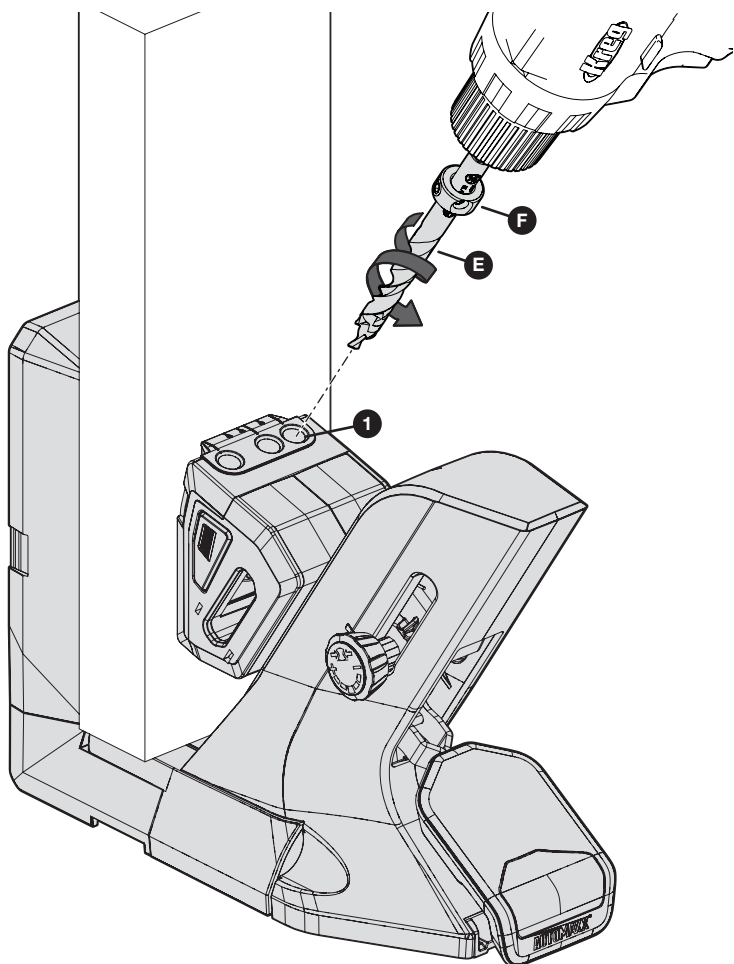


Remarque Pour repositionner ou retirer l'arrêt réglable (1), tournez le bouton d'arrêt réglable (K) dans le sens inverse des aiguilles d'une montre pour le desserrer. Ensuite, faites glisser l'arrêt réglable (1) vers une nouvelle position le long du rail (3) ou soulevez-la de l'aile de support (l).

6 Perçage à angle

AVERTISSEMENT Lors du perçage, il faut toujours s'assurer que la pièce est bien serrée et que la poignée du gabarit est enfoncée jusqu'à sa limite.


- Placez votre mèche préparée (E) avec la bague d'arrêt (F) dans votre perceuse.
- Insérez votre mèche (E) dans le guide-foret (1) et mettez votre perceuse en marche avant de toucher la pièce pour vous assurer que la mèche tourne correctement.
- Percez jusqu'à ce que la bague d'arrêt (F) cesse d'aller plus profond en raison du contact entre la bague d'arrêt (F) et le guide-foret (1). Retirez la mèche (E) du guide-foret (1) pendant que la mèche est encore en rotation.
- Lorsque vous avez fini de percer le ou les trous en angle, soulevez la poignée du gabarit pour relâcher la pression de serrage; puis retirez votre pièce.




Fonctionnement – Perçage et utilisation des vis pour perçage à angle

Pour obtenir des résultats optimaux, suivez ces directives lorsque vous percez et vissez des vis pour perçage à angle :

- Utilisez la bonne taille de vis selon ce tableau :

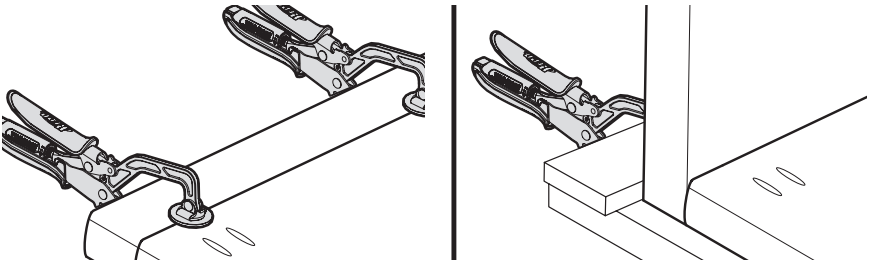
Épaisseur de matériau calibrée	Baguette d'arrêt à réglage facile	Réglage de l'épaisseur des matériaux	Longueur de la vis
Plage 1/2	1/2	Automatique	1 po (25 mm)*
Plage 3/4	3/4		1 1/4 po (32 mm)
	3/4		1 1/2 po (38 mm)
Plage 1 1/2	1 1/2		2 1/2 po (64 mm)

* Une vis de 1 po (25 mm) est recommandée pour la plupart des applications, mais si votre pièce se situe dans le bas de la plage, une vis de 3/4 po (19 mm) peut être nécessaire pour empêcher la pointe de la vis de dépasser.

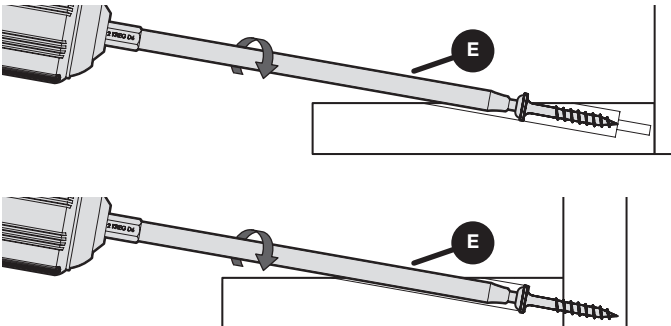
Remarque Si l'épaisseur de votre matériau tombe dans la plage , utilisez les mêmes techniques de montage que pour la plage de 3/4 po (19 mm) avec une vis de 1 1/2 po (38 mm). Pour obtenir plus de renseignements sur la sélection des vis, consultez le site www.Kregtool.com/Screws ou scannez simplement le code QR figurant sur le côté de votre échantillon de vis.

- Serrez les joints en place pour assurer une meilleure finition. Ces exemples montrent les joints des faces et des bords.

AVERTISSEMENT Lors du perçage, assurez-vous toujours que la pièce de travail est solidement ancrée en place.



- Placez votre vis sur l'embout du tournevis (E), placez la vis dans le trou en angle et enfoncez la vis jusqu'à ce qu'elle soit bien en place, sans forcer.



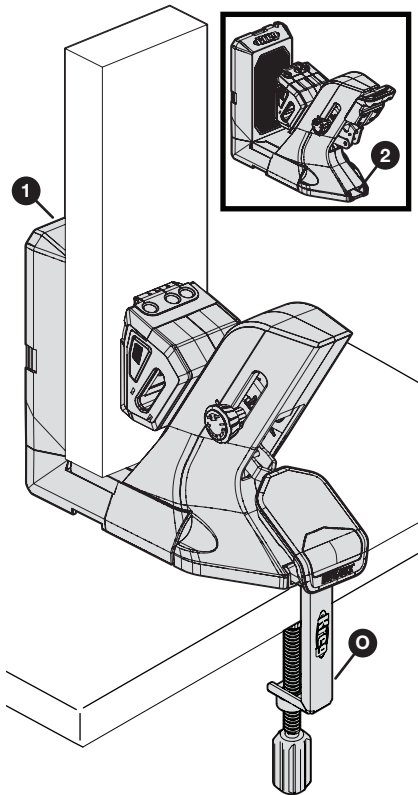
Utilisation de votre gabarit Kreg

Votre gabarit Kreg a été conçu pour fonctionner dans une orientation verticale ou horizontale afin de s'adapter à votre pièce.

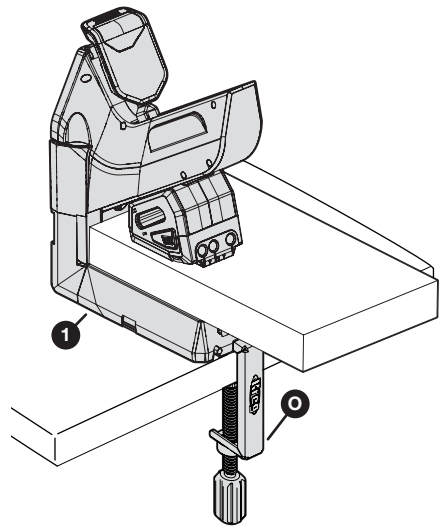
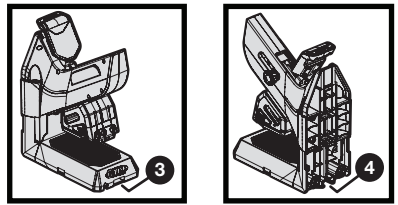
Pour passer d'une orientation à l'autre, il suffit de faire pivoter le gabarit à 90 degrés.

Dans les deux cas, vous pouvez utiliser le serre-joint pour perçage à angle (O) pour fixer le gabarit en place sur votre établi.

Orientation	Description	Options de position de serrage
Vertical	Le côté de rangement des outils (1) est vertical	Une position de serrage disponible (2)
Horizontal	La face de rangement des outils (1) est orientée vers le bas	Deux positions de serrage disponibles (3, 4)



Vertical



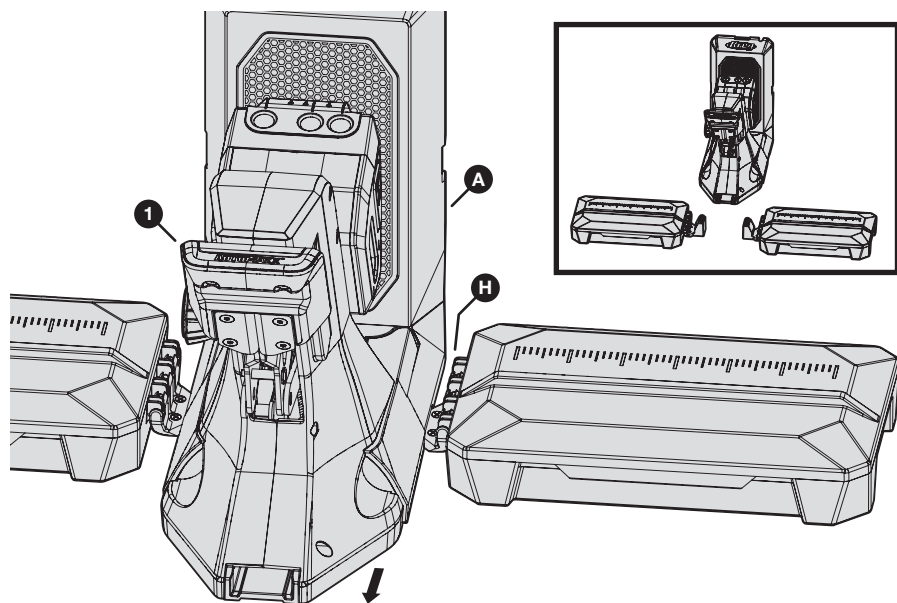
Horizontal

Retrait du gabarit de la station d'accueil

Si vous utilisez le gabarit série 700 avec la station d'accueil optionnelle, vous pouvez retirer le gabarit de la station d'accueil à tout moment.

Retrait d'un gabarit série 700 de Kreg à partir d'une station d'accueil fixée

En alignant la poignée du gabarit (1) vers vous, faites glisser le gabarit vers vous jusqu'à ce que le gabarit (A) se détache des adaptateurs de la station (H). Ensuite, soulevez le gabarit (A) des adaptateurs de la station (H).



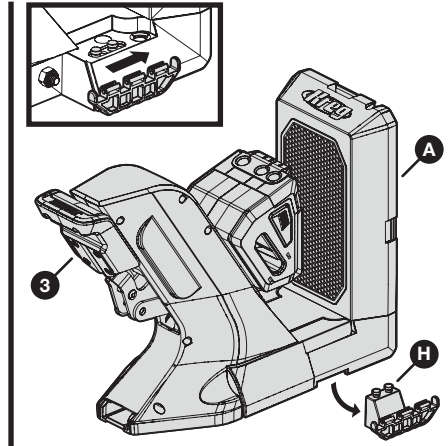
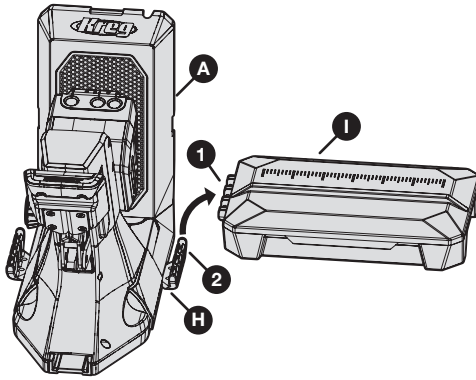
Retrait d'un gabarit série 700 de Kreg à partir d'une station d'accueil qui n'est pas fixée

a. Détachez chaque aile de support (I) :

1. Saisissez l'aile de support (I) près de l'endroit où elle est reliée à l'adaptateur de station (H).
2. Soulevez doucement l'aile de support (I) pour que le connecteur de l'aile de support (1) sorte du connecteur de l'adaptateur de station (2).

b. Pour l'adaptateur de station (H) de chaque côté du gabarit (A) :

1. Soulevez légèrement ce côté du gabarit (A) de la surface de travail.
2. Orientez la poignée du gabarit (3) vers vous, faites glisser l'adaptateur de station (H) pour l'éloigner de vous jusqu'à ce qu'il se dégage de la fente située sous le gabarit (A).
3. Retirez l'adaptateur de station (H) de la face inférieure du gabarit (A).



Maintenance

Appliquez périodiquement une huile légère sur le mécanisme mobile de la poignée.

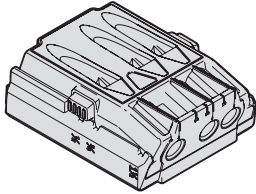
Entretien et nettoyage

Nettoyez périodiquement votre outil en aspirant les copeaux et la poussière de bois.

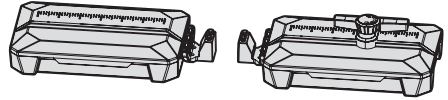
Utilisez un chiffon humide pour essuyer les surfaces antidérapantes SureGrip™ afin d'enlever la poussière et les débris.

Accessoires

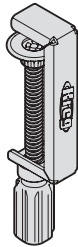
Guide de microforage pour le KPHA730
Kreg



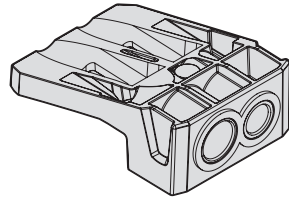
Station d'accueil pour gabarit de perçage
à angle KPHA750



Clampe d'établi
KPHA760
Kreg



Guide de forage pour la coupe de
bouchons KPHA740





EXPLORER. CONSTRUIRE. PARTAGER.

Nous sommes des artisans comme vous.
C'est pourquoi nous aimons voir ce sur quoi vous travaillez.
Montrez-le à la communauté et laissez-vous inspirer!

#madewithKreg

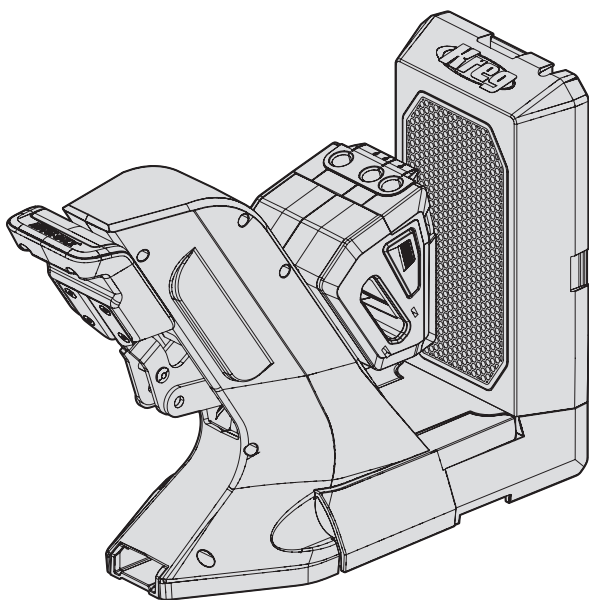
Obtenez des plans gratuits, des ressources pour vos projets et plus encore.
kregtool.com et buildsomething.com

MANUAL DEL PROPIETARIO



Guía para agujeros ocultos Kreg Serie 700

El manual aplica a todas las guías para agujeros ocultos Kreg Serie 700



ADVERTENCIA Todos los usuarios deben leer y seguir las instrucciones y precauciones de seguridad de este manual. De lo contrario, podrían producirse lesiones graves. Guarde el manual para referencia futura.

Estamos aquí para ayudar.

Queremos que tenga una experiencia excepcional en la construcción de proyectos.

Póngase en contacto con nosotros si tiene preguntas o necesita ayuda.

1-800-447-8638 | technicalsupport@kregtool.com

Cuéntenos su experiencia.

Su opinión es importante. Y siempre estamos buscando formas para mejorar.

Comparta sus comentarios para que podamos seguir creciendo e innovando para usted.

www.kregtool.com/feedback

Índice

Precauciones de seguridad	46	Funcionamiento: Taladrar y pasar tornillos para agujeros ocultos	61
Preensamblaje	47	Usar la guía Kreg	62
Descripción del producto	47	Quitar la guía de la estación de encastre	63
Almacenamiento de herramientas integrado	48	Quitar una guía Kreg Serie 700 de una estación de encastre montada	63
Presión de la abrazadera ajustable	48	Quitar una guía Kreg Serie 700 de una estación de encastre sin montar	64
Alas de extensión	49	Mantenimiento	65
Opción de montaje	49	Cuidado y limpieza	65
Accesorios de recolección de polvo	50	Accesorios	65
Ensamblaje de la estación de encastre	51		
Funcionamiento: Taladrar agujeros ocultos	56		

Precauciones de seguridad

ADVERTENCIA Antes de usar una herramienta eléctrica con este producto, lea y siga las instrucciones y precauciones de seguridad del fabricante de la herramienta además de las precauciones de seguridad que se muestran a continuación para reducir el riesgo de lesiones graves por peligros tales como incendios, descargas eléctricas o una broca giratoria.

- Siempre use el equipo de protección personal recomendado por el fabricante de la herramienta eléctrica que esté utilizando, como protección ocular, auditiva o respiratoria.
- La broca es filosa. Manipúlela con cuidado.
- No permita que la familiaridad obtenida del uso frecuente de sus herramientas reemplace las prácticas de seguridad laboral. Un momento de descuido es suficiente para causar lesiones graves.
- Evite las posiciones incómodas de las manos donde un deslizamiento repentino podría causar contacto con la broca giratoria.
- Cuando taladre, asegúrese siempre de que la pieza de trabajo esté bien sujeta. Es peligroso sostener la pieza de trabajo con la mano.

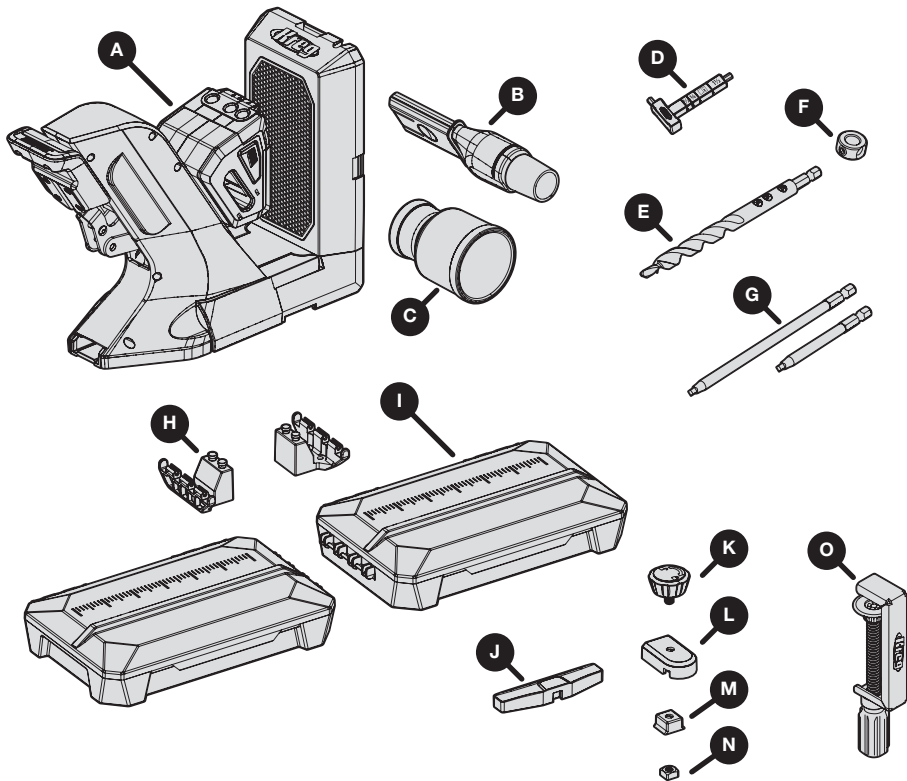
ADVERTENCIA No opere esta herramienta ni ninguna maquinaria bajo la influencia de drogas, alcohol o medicamentos.

ADVERTENCIA Este producto podría exponerlo a productos químicos, incluidos el acrilonitrilo y otros compuestos químicos, que el estado de California conoce como causantes del cáncer y daños reproductivos. Para obtener más información, visite www.P65Warnings.ca.gov.

Preensamblaje

Revise esta sección antes de comenzar. Asegúrese de tener todas las herramientas y materiales a mano. Verifique el contenido con los artículos enumerados en la sección Descripción del producto. Si falta algún artículo o está extraviado, no use este producto. Póngase en contacto con el Soporte técnico o devuelva el producto al lugar de compra.

Descripción del producto



Pieza	Descripción
A	Guía KPHJ720
B	Hoja de recolección de polvo
C	Adaptador de polvo
D	Regla de grosor del material/Llave hexagonal
E	Broca para agujeros ocultos de fácil colocación
F	Collarín de fácil colocación
G	Puntas de destornillador (3" y 6")

Pieza	Descripción
H ¹	Adaptadores de encastramiento para KPHJ720 (2)
I ¹	Alas de soporte del material (2)
J ¹	Brazo del retén ajustable
K ¹	Perilla del retén ajustable
L ¹	Base del retén ajustable
M ¹	Calce de la base del retén ajustable
N ¹	Tuerca cuadrada del retén ajustable
O ¹	Abrazadera de guía para agujeros ocultos KPHA760

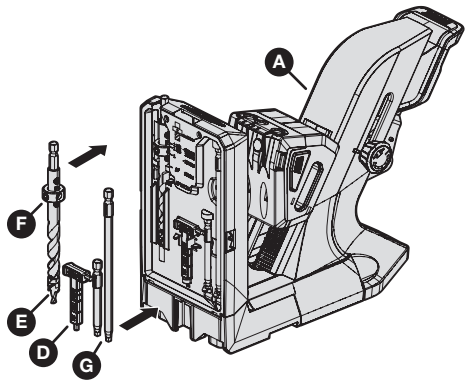
¹ Estas piezas de la estación de encastramiento para guía para agujeros ocultos KPHA750 están incluidas en el paquete KPHJ720PRO.

Nota El producto también incluye dos paquetes de tornillos de muestra (no ilustrados).

Almacenamiento de herramientas integrado

La guía KPHJ720 (A) incluye almacenamiento integrado para estos artículos:

- Broca para agujeros ocultos de fácil colocación (E) con collarín de fácil colocación (F) integrado
- Regla de grosor del material/llave hexagonal (D)
- Puntas de destornillador de 3" y 6" (G)

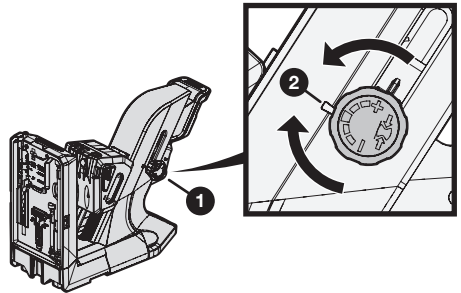


Presión de la abrazadera ajustable

Una perilla (1) del lado de la guía KPHJ720 le permite aumentar o reducir la presión de la abrazadera que se aplica a la pieza de trabajo. Hay cinco ajustes de presión disponibles. La guía se envía desde la fábrica con la presión de la abrazadera en el ajuste medio.

Para ajustar la presión de la abrazadera:

- Levante la manija de la guía hacia arriba completamente para liberar la presión de la abrazadera.
- Gire la perilla de ajuste de presión de la abrazadera (1) un clic en la dirección deseada:
 - En sentido horario se reduce la presión
 - En sentido antihorario se aumenta la presión
- Coloque un bloque de prueba, vuelva a aplicar presión sobre la abrazadera llevando la manija de la guía hacia abajo con un movimiento suave hasta que llegue al límite del recorrido.
- Repita este proceso según sea necesario hasta que esté satisfecho con la presión de la abrazadera.



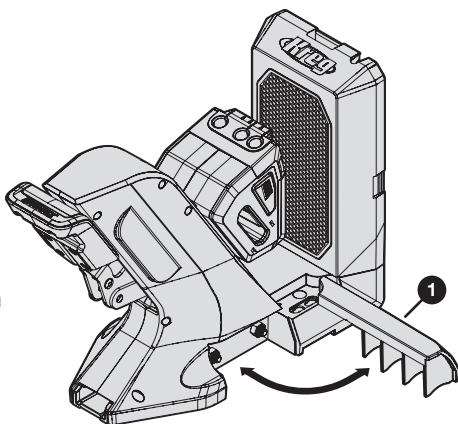
Nota

- La guía se establece a la presión mínima de la abrazadera cuando el símbolo de "menos" en la perilla de ajuste de la presión de la abrazadera (1) está alineado con la marca de selección (2).
- La guía se establece a la presión máxima de la abrazadera cuando el símbolo de "más" en la perilla de ajuste de la presión de la abrazadera (1) está alineado con la marca de selección (2).

Alas de extensión

La guía KPHJ720 tiene dos alas de extensión, una (1) de cada lado de la base de la guía. Puede rotar una o ambas alas 90 grados para proporcionar mayor estabilidad y soporte del material.

Nota Si usa la estación de encastre opcional con la guía, usará las alas de soporte del material de la estación de encastre en lugar de las alas de extensión aquí ilustradas. Consulte **Ensamblaje de la estación de encastre** en la página 51.



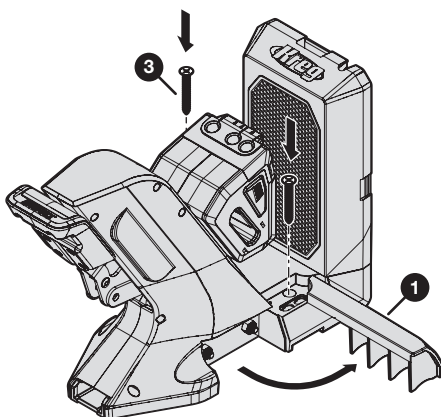
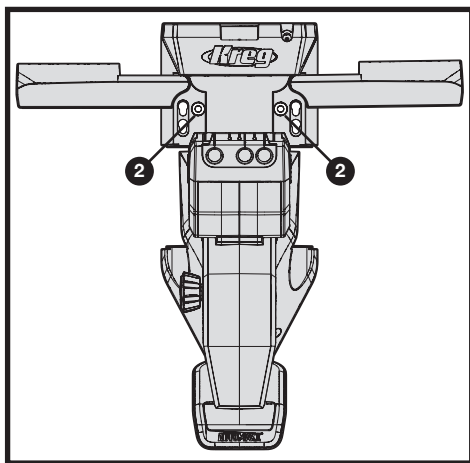
Opción de montaje

Si lo desea, puede montar la guía KPHJ720 a su superficie de trabajo para ofrecer una mayor estabilidad.

Nota Estas instrucciones aplican a una guía que se usa *sin* la estación de encastre opcional.

- Coloque la guía en la posición deseada en la mesa de trabajo.
- Rote el ala de extensión (1) de cada lado de la guía a 90 grados.
Ahora hay dos orificios de montaje (2) accesibles (un orificio de cada lado de la guía).
- Pase un tornillo para agujeros ocultos Kreg (3) a través de cada orificio de montaje (2).

Nota Puede usar tornillos Kreg SML-C125 o cualquier otro tornillo para agujeros ocultos Kreg.



Accesorios de recolección de polvo

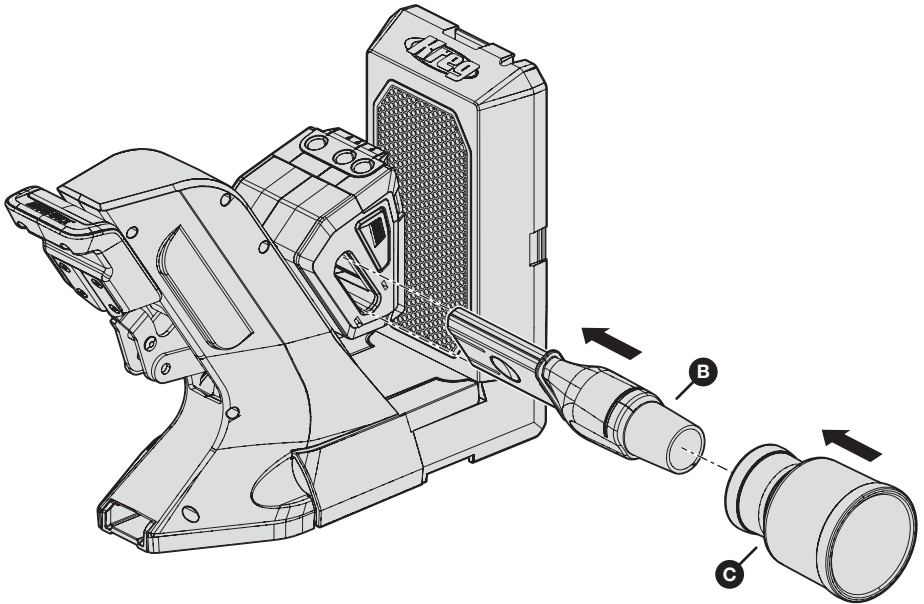
Puede usar los accesorios de recolección de polvo proporcionados para recoger el polvo mientras taladra.

Para fijar los accesorios de recolección de polvo:

- a. Si es necesario para el diámetro de la manguera que está usando, fije el adaptador de polvo (C) al extremo ancho de la hoja de recolección de polvo (B).

Diámetro de la manguera	¿Requiere un adaptador de polvo?
1-1/4"	No
1-7/8"	No
2-1/2"	Sí

- b. Inserte el extremo estrecho de la hoja de recolección de polvo (B) en el lado derecho o izquierdo de la guía.



Nota Puede dejar la hoja de recolección de polvo y el adaptador de polvo fijos a la guía cuando no está usando la guía.

Ensamblaje de la estación de encastre

Esta sección describe cómo ensamblar la estación de encastre que se incluye con el paquete KPHJ720PRO. También puede comprar la estación de encastre por separado (consulte **Accesorios** en la página 65).

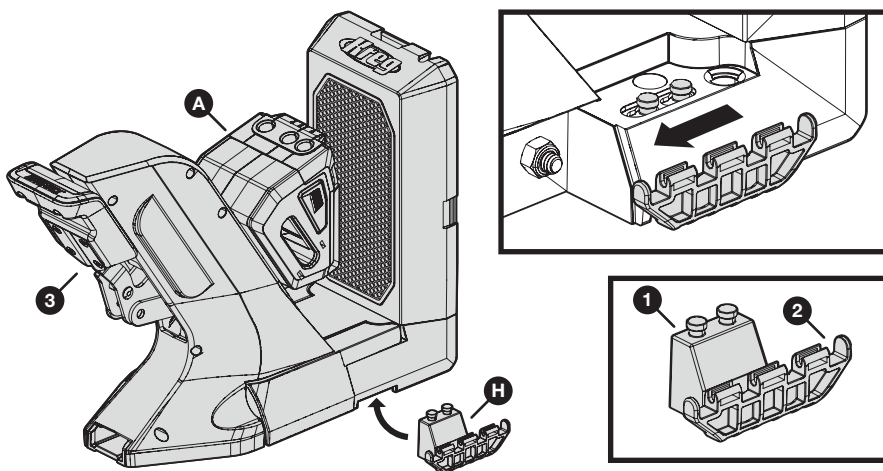
Nota Si no está usando la estación de encastre, omita esta sección y continúe con **Funcionamiento: Taladrar agujeros ocultos** en la página 56.

1 Conecte los adaptadores de encastre a la guía

- Coloque la guía KPHJ720 (A) sobre una superficie plana.
- Con una mano, levante ligeramente un lado de la guía (A).
- Con la otra mano, coloque un adaptador de encastre (H) debajo de la guía (A) de modo que los pasadores de fijación (1) encajen en el orificio correspondiente en el lado inferior de la guía (A); luego deslice el adaptador de encastre (H) hacia la manija de la guía (3) para trabar el adaptador del encastre (H) en posición.

Nota Un lado de los adaptadores de encastre (H) tiene pasadores de fijación (1) que encajan por debajo de la guía; el otro lado tiene un conector (2) para un ala de soporte del material (no ilustrado). Asegúrese de que el lado del conector del ala (2) del adaptador de encastre (H) se extienda por el lado de la guía (A).

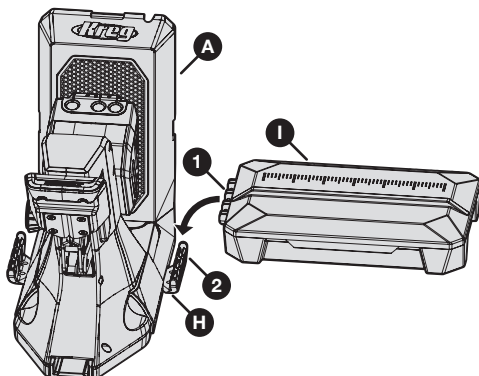
- Repita los pasos b y c para conectar el otro adaptador de encastre (H) en el lado opuesto de la guía (A).



2 Conectar las alas de soporte del material a los adaptadores de encastre de encastre

Consejo Las alas de soporte del material también sirven como cajas de almacenamiento.

- Sostenga un ala de soporte del material (I) con el lado derecho hacia arriba (de modo que la tapa de la caja de almacenamiento esté orientada hacia arriba y abra en dirección opuesta a usted).
- Alinee el conector (1) en el lado del ala de soporte del material (I) con el conector (2) en el adaptador de encastre (H) que se extiende del lado de la guía (A); luego presione el ala de soporte del material (I) hacia abajo con firmeza de modo que los conectores encastran.



Nota Las barras del conector de ala de soporte del material (1) encastran en las ranuras del conector del adaptador de encastre (2).

- Repita estos pasos para conectar la otra ala de soporte del material (I) al adaptador de encastre (H) en el lado opuesto de la guía (A).

Nota Puede plegar las alas de soporte del material en posición vertical para ahorrar espacio cuando no se está usando la guía, o para facilitar el mover la guía de un lugar a otro. Siempre despliegue las alas de soporte del material antes de usar la guía.

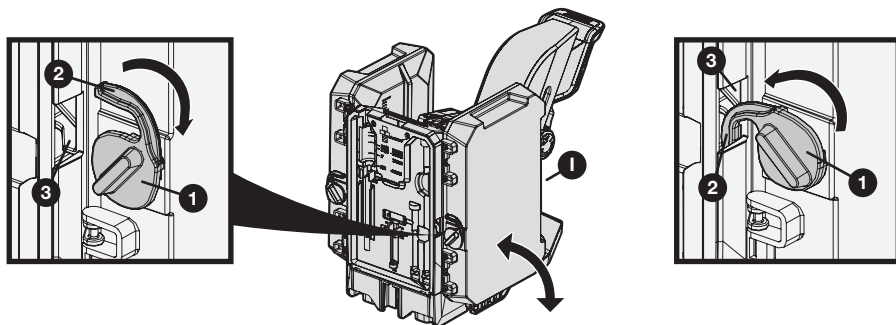
Nota Si usa los accesorios de recolección de polvo (página 50), debe quitarlos de la guía para plegar hacia arriba las alas de soporte del material.

Para plegar hacia arriba las alas de soporte del material:

- Pliegue el ala de soporte del material (I) hacia arriba en posición vertical.
- Rote la traba del ala (1) hacia adentro hasta que el pestillo (2) se encastre bien en la muesca (3) en ese lado de la guía.

Para desplegar las alas de soporte del material:

- Rote la traba de ala (1) hacia afuera hasta que el pestillo (2) se desencastre de la muesca (3) en el lado de la guía.
- Despliegue el ala de soporte del material (I) a la posición horizontal.

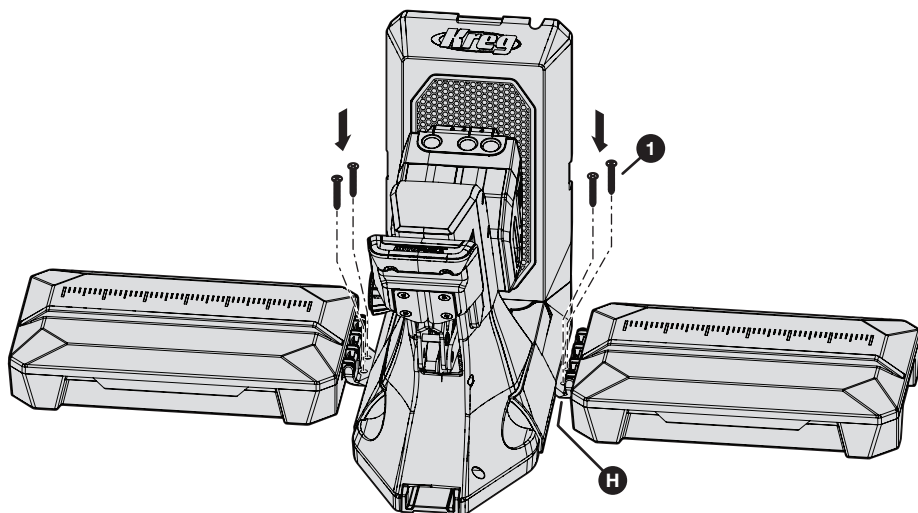
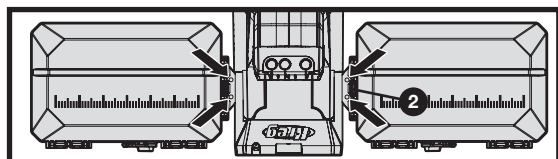


3 Opcional: Monte los adaptadores de encastre a una superficie de trabajo

Si lo desea, puede montar los adaptadores de encastre a su superficie de trabajo para ofrecer una mayor estabilidad.

- Coloque la estación de encastre (con la guía Serie 700 fija) en la posición deseada sobre su mesa de trabajo.
- Inserte un tornillo para agujeros ocultos (1) Kreg a través de los cuatro orificios de montaje (2) en los adaptadores de encastre (H).

Nota Puede usar tornillos Kreg SML-C125 o cualquier otro tornillo para agujeros ocultos Kreg.



4 Ensamblar la base del retén ajustable

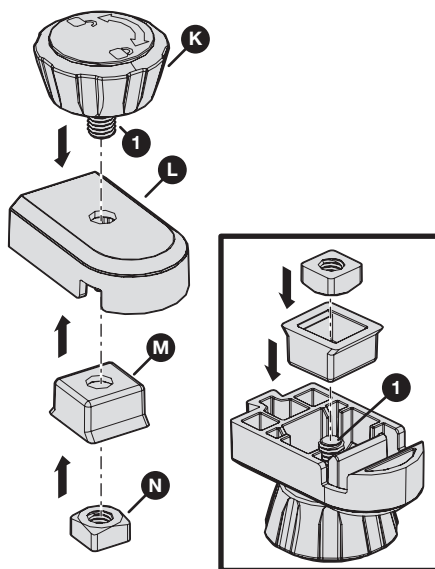
La estación de encastre incluye un retén ajustable que se puede fijar a cualquier ala de soporte del material. El retén ajustable facilita obtener los mismos resultados cuando tiene muchas piezas que requieren el mismo espaciado entre los agujeros ocultos.

Nota El retén ajustable tiene dos piezas: la base del retén ajustable, la cual ensamblará en este paso; y el brazo del retén ajustable, que se puede fijar a la base del retén ajustable en diferentes configuraciones (consulte el paso 5).

- Inserte el tornillo (1) de la perilla del retén ajustable (K) en el orificio encima de la base del retén (L).
- Mientras sostiene la perilla (K) en posición, gire la base del retén (L) boca abajo de modo que el tornillo (1) se extienda hacia arriba.
- Deje caer el calce de la base del retén ajustable (M) por el tornillo (1) con el lado del reborde hacia arriba.

Nota El calce de la base del retén ajustable (M) debe estar a ras de la base del retén ajustable (L). Si no está a ras, gire el calce de la base del retén ajustable (M) 90 grados.

- Coloque la tuerca cuadrada del retén ajustable (N) en el tornillo (1); luego gire la perilla del retén ajustable (K) hasta que la tuerca cuadrada del retén ajustable (N) esté lo más ajustada que se pueda a mano.

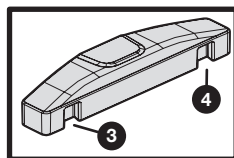
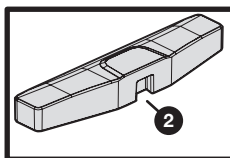
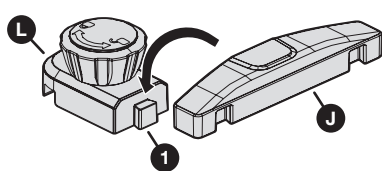


5 Fijar el brazo del retén ajustable a la base del retén ajustable

Deslice una muesca del brazo del retén ajustable (J) hacia abajo por la pestaña (1) en la base del retén ajustable (L) hasta que el brazo del retén ajustable (J) esté bien asentado en la pestaña (1).

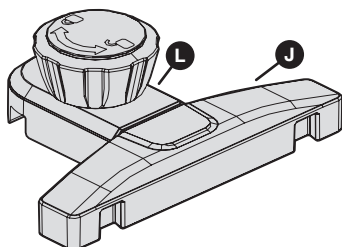
Nota El brazo del retén ajustable (J) tiene tres muescas: una muesca central (2) de un lado y dos muescas exteriores (3, 4) del lado opuesto. Use la muesca adecuada en función de cómo quiere configurar el retén ajustable.

Nota Para cambiar la configuración del retén ajustable, levante el brazo del retén ajustable (J) de la base del retén ajustable (L). Luego deslice otra muesca del brazo del retén ajustable (J) sobre la pestaña (1) en la base del retén ajustable (L).



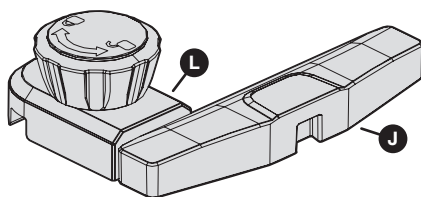
Configuración centrada

Use la muesca central (2) del brazo



Configuración lateral


Use cualquiera de las muescas externas (3, 4) del brazo de modo que el brazo (J) se extienda de un lado de la base (L)

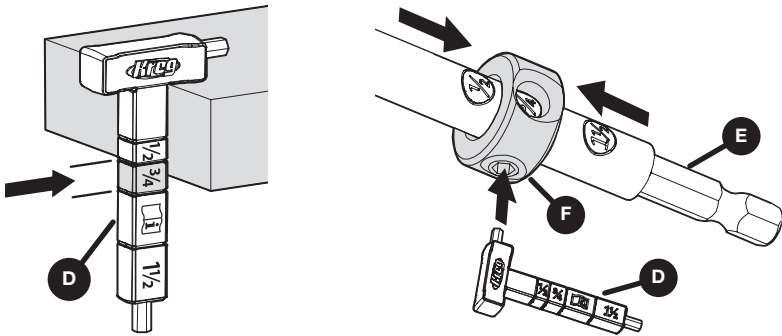


Funcionamiento: Taladrar agujeros ocultos

1 Determinar el grosor del material y colocar el collarín

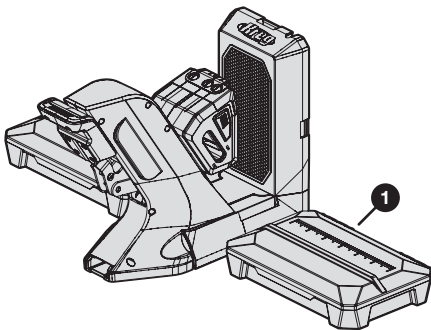
- Use la regla de grosor del material (D) para determinar el rango de grosor del material.
- Coloque el collarín (F) sobre la broca (E) y alinee la ventana del collarín (F) con la medición de rango del grosor determinada en el paso a.
- Use la llave hexagonal integrada en la regla de grosor del material (D) para bloquear el collarín (F) en su lugar sobre la broca (E).

Nota Si el grosor del material cae en el rango de , use las mismas técnicas de configuración que en el rango de 3/4" con un tornillo de 1-1/2".

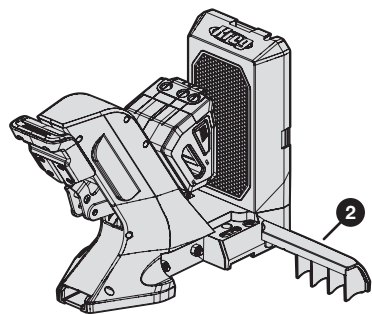


2 Si corresponde: Establezca la guía

- **Si usa la estación de encastre:** Despliegue ambas alas de soporte del material a su posición horizontal (1).
- **Si no usa la estación de encastre:** Puede rotar una o ambas alas de extensión (2) de la guía de la base de la guía para proporcionar estabilidad adicional, de ser necesario.



Con la estación de encastre: Alas de soporte de material desplegadas hacia abajo



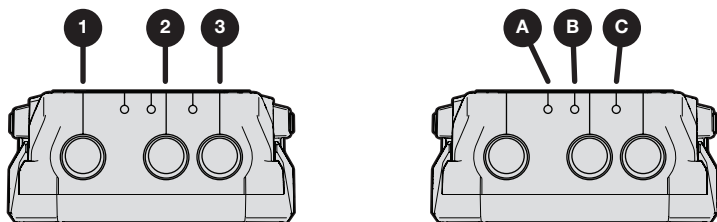
Sin estación de encastre: Alas de extensión rotadas

3 Posicionar la pieza de trabajo

a. Coloque la pieza de trabajo en la guía y use la guía de taladrar para alinearla.

Nota Hay dos métodos alternativos para alinear la guía Kreg con la pieza de trabajo:

- Alinee la línea central de cualquier guía para agujeros ocultos (números 1, 2 o 3) con la ubicación deseada en la pieza de trabajo. Para paneles más anchos (más de 3-1/2" de ancho), los agujeros ocultos se deben colocar entre 5/8" y 1-1/2" desde cada borde de la pieza de trabajo y luego en intervalos de entre 6" y 8".
- Use las marcas de centrado de la tabla (letras A, B o C) para centrar dos agujeros ocultos en la pieza de trabajo en un ancho entre 1-1/4" y 3-1/2". Consulte la tabla a continuación para obtener detalles sobre cada rango de tamaño.



Ancho de tabla	Marca central	Guía de taladrar
1-1/4" a 1-3/4"	C	2 y 3
1-3/4" a 2-3/8"	A	1 y 2
2-3/8" a 3-1/2"	B	1 y 3

b. Cuando esté satisfecho con la posición de la pieza de trabajo en la guía, continúe con el paso 4.

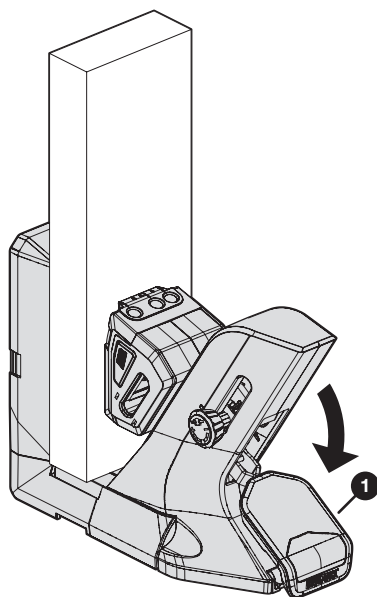
4 Sujetar la pieza de trabajo

- a. Lleve la manija de la guía (1) hacia abajo con un movimiento suave hasta que llegue al límite del recorrido.

Nota Si tiene dificultad para llevar la manija de la guía (1) hasta que llegue al límite del recorrido, reduzca* la presión de la abrazadera.

- b. Verifique si la pieza de trabajo está bien sujeta a la guía; aumente* la presión de la abrazadera, de ser necesario.

Nota Aumente la presión de la abrazadera si esta no sostiene la pieza de trabajo tan seguro como lo desea, si ve movimiento en la pieza de trabajo, o si está usando un accesorio de la guía de taladrar para tapones de madera.



* Consulte **Presión de la abrazadera ajustable** en la página 48.

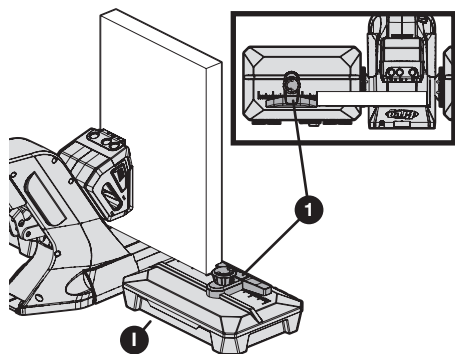
5 Opcional: Configurar el retén ajustable

Nota El retén ajustable le permite taladrar agujeros ocultos en piezas de trabajo similares a un ritmo más rápido. El retén ajustable es un accesorio que se incluye con la estación de encastre. Si no usa la estación de encastre, omita este paso y continúe con el paso 6.

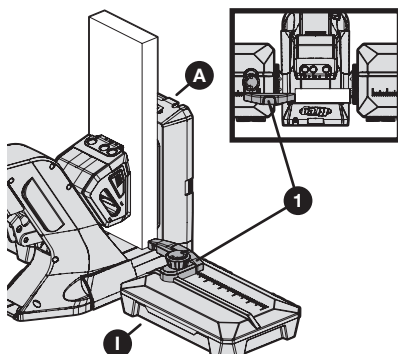
- a. De ser necesario, cambie la configuración del retén ajustable para que se adapte al tamaño y la orientación de la pieza de trabajo en la guía:
- **Pieza de trabajo ancha:** Si la pieza de trabajo es lo suficientemente ancha como para que se extienda por encima de un ala de soporte del material (I), use el retén ajustable (1) en la configuración *centrada*.
 - **Pieza de trabajo estrecha:** Si la pieza de trabajo no se extiende por encima del espacio entre la guía y el ala de soporte del material (I), use el retén ajustable (1) en la configuración *lateral*.

Nota Para una configuración lateral, use cualquiera de las muescas externas en el brazo del retén ajustable que esté más lejos de la guía después de colocar el retén ajustable (1) en un ala de soporte del material (I).

Nota Para ver las instrucciones sobre cómo cambiar la configuración, consulte **Fijar el brazo del retén ajustable a la base del retén ajustable** en la página 55.

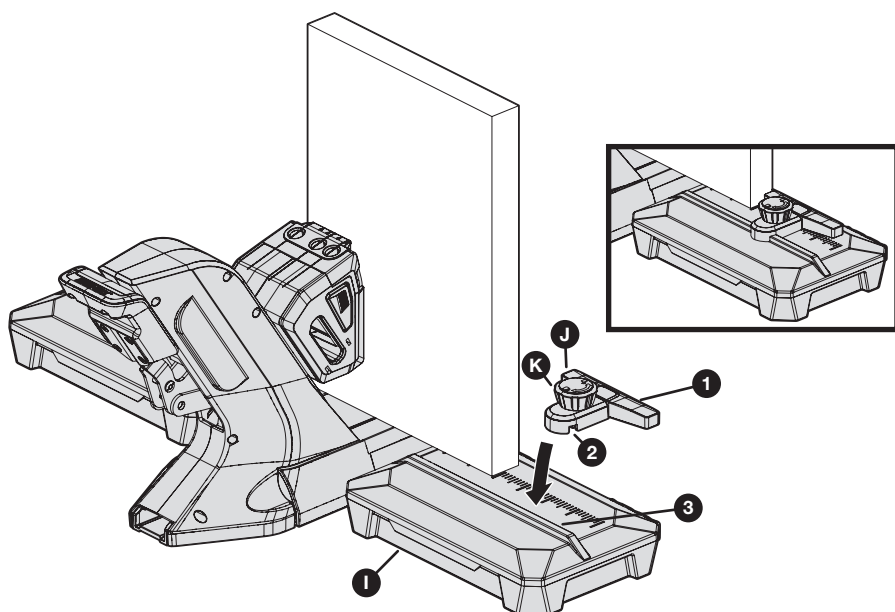


El retén ajustable (1) está en configuración centrada para una pieza de trabajo ancha



El retén ajustable (1) está en configuración lateral para una pieza de trabajo estrecha

- b. Coloque el retén ajustable (1) en la tapa de un ala de soporte del material (l) de modo que:
- El borde del brazo del retén ajustable (J) se apoye bien sobre la pieza de trabajo.
 - La muesca (2) en el lado inferior de la base del retén ajustable encaja sobre el riel (3) que atraviesa la tapa del ala de soporte del material (l).
- c. Gire la perilla del retén ajustable (K) en sentido horario hasta que esté apretado para fijar el retén ajustable (1) en posición.

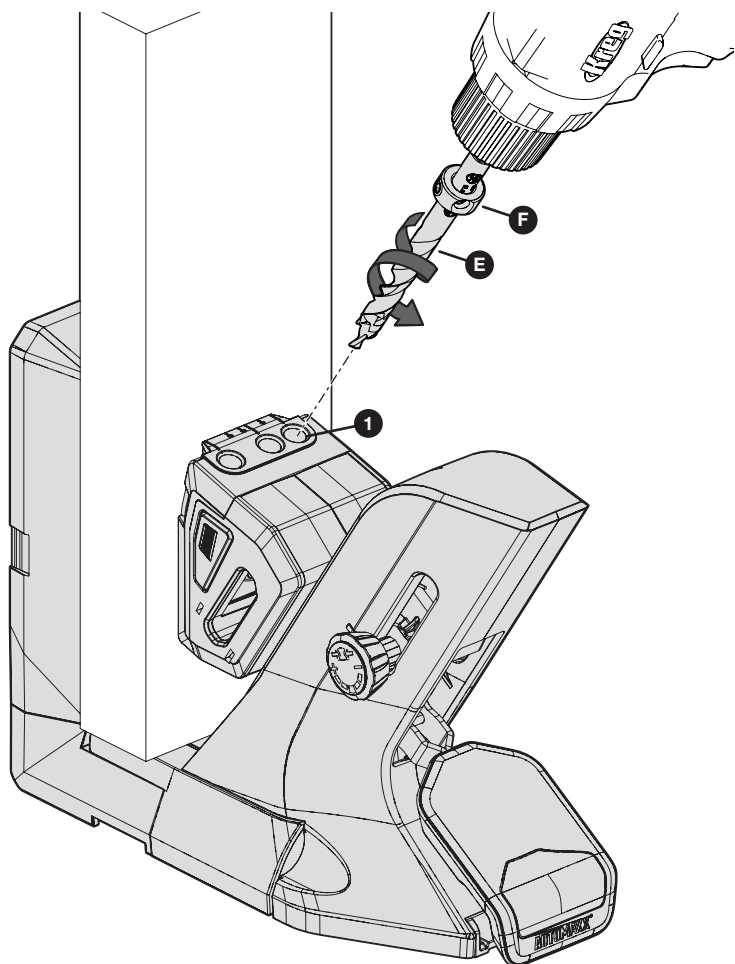


Nota Para mover o quitar el retén ajustable (1), gire la perilla del retén ajustable (K) en sentido antihorario para aflojarlo. Luego deslice el retén ajustable (1) a otra posición sobre el riel (3) o levántelo del ala de soporte del material (l).

6 Taladrar agujeros ocultos

ADVERTENCIA Cuando taladre, siempre asegúrese de que la pieza de trabajo esté bien sujeta y que la manija de la guía esté presionada hacia abajo hasta el límite de su recorrido.


- Coloque la broca (E) preparada con el collarín (F) en el taladro.
- Inserte la broca (E) en la guía de taladrar (1) y lleve el taladro a velocidad de funcionamiento antes que entre en contacto con la pieza de trabajo para garantizar la rotación correcta de la broca.
- Taladre hasta que el collarín (F) evite que siga yendo más profundo por el contacto entre el collarín (F) y la guía de taladrar (1). Quite la broca (E) de la guía de taladrar (1) mientras la broca todavía está girando.
- Cuando termine de taladrar los agujeros ocultos, levante la manija de la guía para liberar la presión de la abrazadera; luego quite la pieza de trabajo.




Funcionamiento: Taladrar y pasar tornillos para agujeros ocultos

Para obtener mejores resultados, siga estas pautas al taladrar y pasar los tornillos para agujeros ocultos:

- Use el tamaño correcto del tornillo conforme a esta tabla:

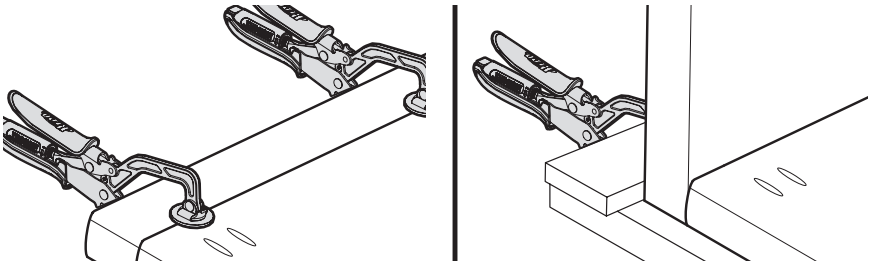
Grosor del material medido	Collarín de fácil colocación	Configuración del grosor del material	Longitud del tornillo
1/2 rango	1/2	Automático	1" (25 mm)*
3/4 rango	3/4		1-1/4" (32 mm)
	3/4		1-1/2" (38 mm)
1-1/2 rango	1 1/2		2-1/2" (64 mm)

* Se recomienda un tornillo de 1" en la mayoría de las aplicaciones, pero si la pieza de trabajo está en el extremo inferior del rango, puede requerirse un tornillo de 3/4" para evitar que sobresalga la punta del tornillo.

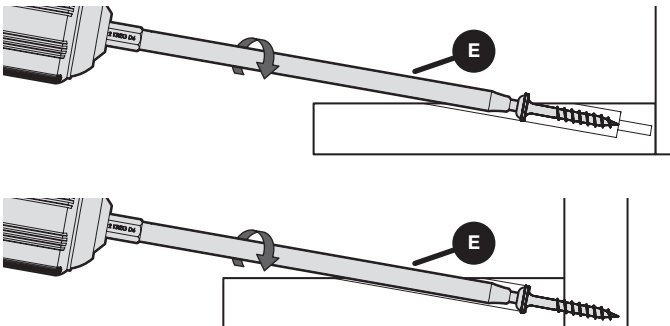
Nota Si el grosor del material cae en el rango de , use las mismas técnicas de configuración que en el rango de 3/4" con un tornillo de 1-1/2". Para obtener más información sobre la selección de los tornillos, ingrese a www.Kregtool.com/Screws o tan solo escanee el código QR en el lateral del paquete de los tornillos de muestra.

- Sujete las uniones en su lugar para garantizar una unión mejor acabada. Estos ejemplos muestran uniones de frente y uniones de bordes.

ADVERTENCIA Cuando taladre, asegúrese siempre de que la pieza de trabajo esté bien sujeta.



- Coloque el tornillo en la punta del destornillador (E), coloque el tornillo en el agujero oculto, y enrosque el tornillo hasta que esté bien asentado sin excederse.



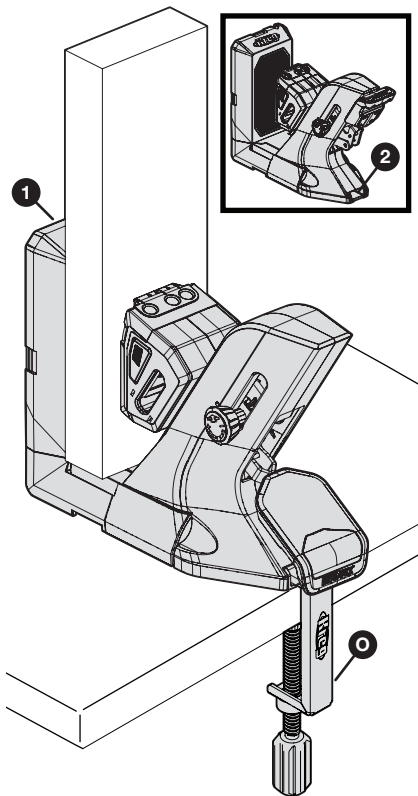
Usar la guía Kreg

La guía Kreg se ha diseñado para funcionar en orientación vertical u horizontal para acomodar la pieza de trabajo.

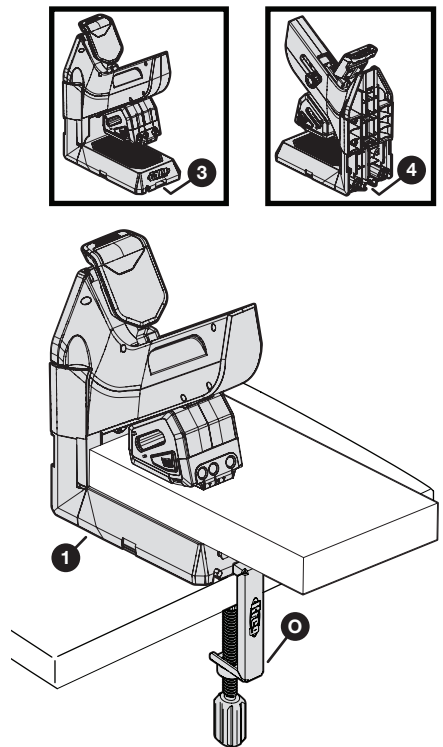
Para pasar de una orientación a la otra, tan solo gire la guía 90 grados.

En cualquier orientación, puede usar la abrazadera de la guía para agujeros ocultos (O) para fijar la guía en su lugar en la mesa de trabajo.

Orientación	Descripción	Opciones de posición de la abrazadera
Vertical	El lateral con almacenamiento de herramientas (1) está vertical	Una posición de abrazadera disponible (2)
Horizontal	El lateral con almacenamiento de herramientas (1) está boca abajo	Dos posiciones de abrazadera disponibles (3, 4)



Vertical



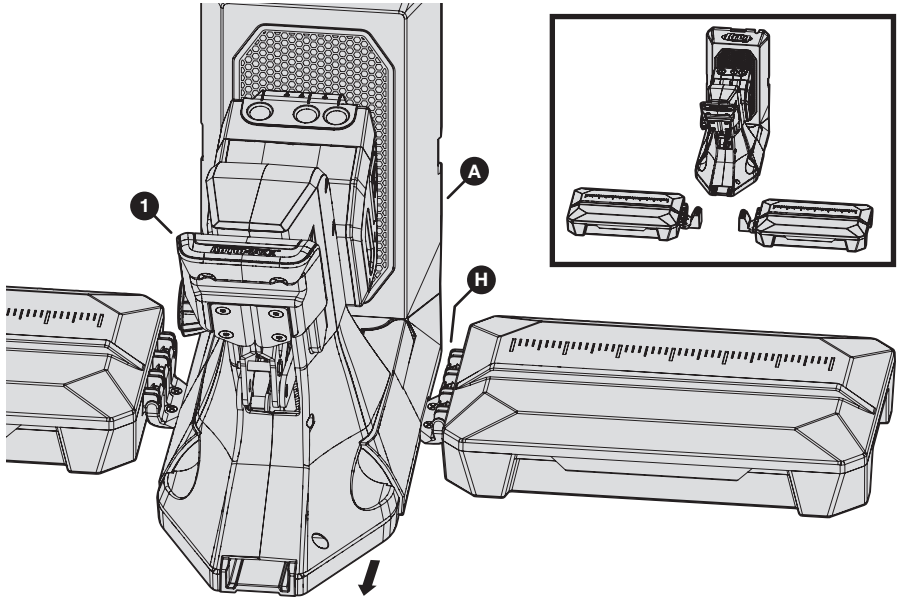
Horizontal

Quitar la guía de la estación de encastre

Si usa la guía Serie 700 con la estación de encastre opcional, puede quitarla de la estación de encastre en cualquier momento.

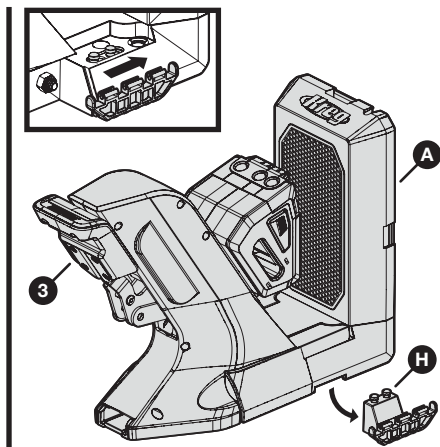
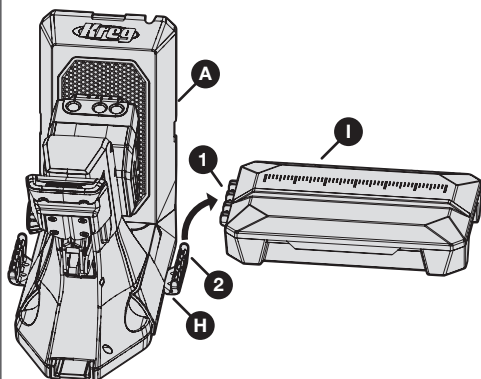
Quitar una guía Kreg Serie 700 de una estación de encastre montada

Con la manija de la guía (1) orientada hacia usted, deslice la guía (A) hacia usted hasta que se desenganche de los adaptadores de encastre (H). Luego levante la guía (A) de los adaptadores de encastre (H).



Quitar una guía Kreg Serie 700 de una estación de encastre sin montar

- a. Quite cada ala de soporte del material (I):
 1. Tome el ala de soporte del material (I) de cerca de donde se conecta al adaptador de encastre (H).
 2. Levante con suavidad el ala de soporte del material (I) de modo que el conector del ala de soporte del material (1) sobresalga del conector del adaptador de encastre (2).
- b. Para el adaptador de encastre (H) de cada lado de la guía (A):
 1. Levante ligeramente ese lado de la guía (A) de la superficie de trabajo.
 2. Con la manija de la guía (3) orientada hacia usted, deslice el adaptador de encastre (H) en dirección opuesta a usted hasta que se desenganche de la ranura en la parte inferior de la guía (A).
 3. Hale el adaptador de encastre (H) de la parte inferior de la guía (A).



Mantenimiento

Aplique con frecuencia aceite ligero a la conexión en movimiento de la manija.

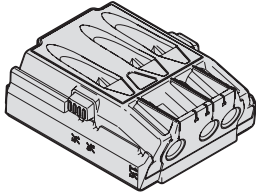
Cuidado y limpieza

Limpie con una aspiradora la herramienta con frecuencia para eliminar las virutas y el aserrín.

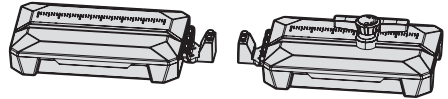
Use un paño húmedo para quitar las virutas y el aserrín de las superficies de las almohadillas antideslizantes Sure-Grip™.

Accesorios

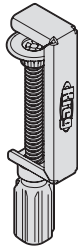
Microguía de taladrar KPHA730 Kreg



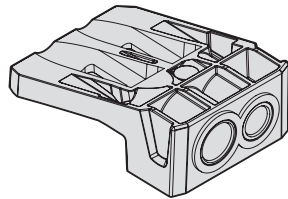
Estación de encastre para guía para agujeros ocultos KPHA750



Abrazadera de banco KPHA760 Kreg



Guía de taladrar para corte de tapones KPHA740





EXPLORAR. CONSTRUIR. COMPARTIR.

Somos creadores al igual que usted.
Por eso nos encanta ver en lo que está trabajando.
¡Comparta con la comunidad e inspírese!

#madewithKreg

Obtenga planos gratuitos, recursos para proyectos y más.
kregtool.com y buildsomething.com